

AO-355B-LM 3/5W



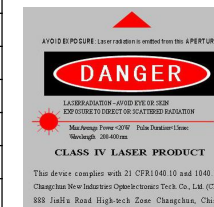
**LD PUMPED ALL-SOLID-STATE  
AOM Q-SWITCHED LASER at 355NM**

All solid state AOM Q-switched laser at 355 nm has the features of high peak power, high repetition rate, and short pulse duration, which is used in scientific research, biology, instrumentation, 3D marking, laser marking, sub-surface engraving and so on.

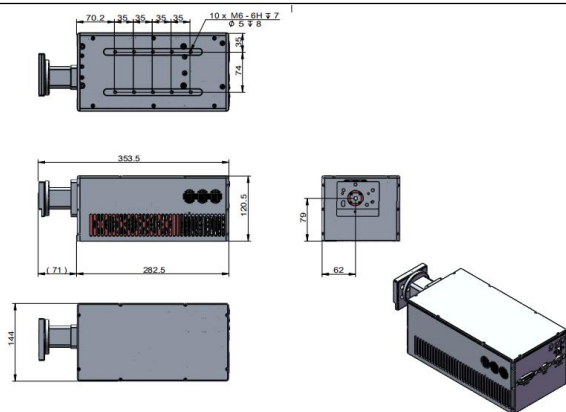


SPECIFICATIONS

Wavelength (nm)	355±1				
Operating mode	Acousto-Optic Q-switched				
Average power (W)	1W@1kHz	3W@5kHz	3W@30kHz	3W@40kHz	5W@30kHz
	Average power (W) = Single pulse energy (mJ) * Rep. rate (kHz)				
Single pulse energy (μJ)	>1000@1kHz	>600@5kHz	>100@30kHz	>100@40kHz	>160@30kHz
Rep. rate (kHz)	1-10		10-200	20-200	10-200
Pulse width (ns)	~12 @1kHz	~15 @5kHz	~12 @30kHz	~10 @40kHz	~15 @30kHz
Transverse mode	TEM <sub>00</sub>				
Beam Circularity (%)	>90				
Beam quality (M <sup>2</sup> )	<1.2				
Beam divergence, full angle (mrad)	<0.2				
Beam diameter at the aperture (mm)	8±1				
Pilot light (nm)	650 (optional)				
Polarization ratio	>100:1, Horizontal				
Beam height from base plate (mm)	79				
Warm-up time (minutes)	<10				
Cooling method	Air Cooled				
Environment temperature (°C)	10~35				
Supply Voltage	DC 12V/25A (optional)				

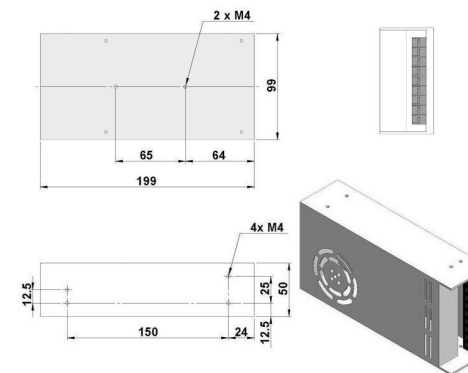


AO-355B-LM *Integrated electronics*



353.5(L) × 144 (W) × 120.5(H) mm<sup>3</sup>, 7.45 kg

Power supply 100-240VAC



DC12V 25A; 199 (L) × 99 (W) × 50 (H) mm<sup>3</sup>, 0.9 kg