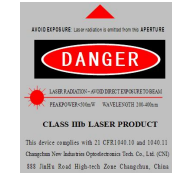




AO-S-xxx-H series

LD PUMPED ALL-SOLID-STATE ACOUSTO-OPTIC Q-SWITCHED LASER

All solid state acousto-optic Q-switched laser has the features of high peak power, high repetition rate, and short pulse duration, which is widely used in material processing, measure, scientific research and so on.



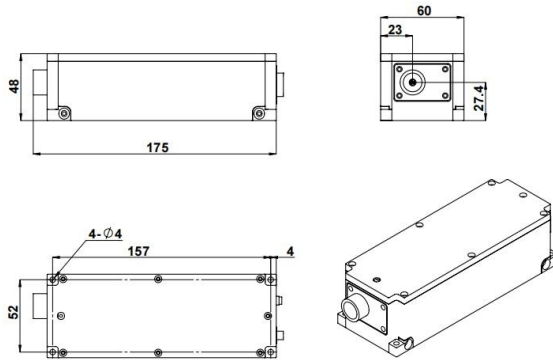
SPECIFICATIONS

Wavelength (nm)	523.5±1	526.5±1	532±1		671±1
Operating mode	Acousto-Optics Q-switched				
Max average power (mW)*	1-300	1-300	1-1000		1-350
Single pulse energy (μJ)	1-100 (100uJ@1kHz:50uJ@5kHz)	1-100 (100uJ@1kHz:60uJ@5kHz)	1-250 (250uJ@1kHz:100uJ@10kHz)	1-30 (15uJ@10kHz:20uJ@50kHz)	1-50 (50uJ@1kHz:45uJ@5kHz)
Pulse duration(varies from power and repetition.)	~8ns@1kHz:~14ns@5kHz	~10ns@1kHz:~17ns@5kHz	~10ns@1kHz:~25ns@10kHz	~5ns@10kHz:~14ns@50kHz	~23ns@1kHz:~27ns@5kHz
Peak power(kW)	0.007-12.5	0.005-10	0.04-25	0.04-3.84	0.008-2.19
Rep. rate (kHz)	0.001-50		0.001-10	10-70	0.001-50
Power Stability (rms,over 4 hours)	<5%, <3%, <2%				
Transverse mode	Near TEM ₀₀				
M ² factor	<1.5				
Beam Diameter at the aperture 1/e ² (mm)	<1.0			~1.2	
Beam divergence, full angle (mrad)	<1.5				
Polarization ratio	>100:1				
Warm-up Time (minutes)	<10				
Beam height from base plate (mm)	27.4				
Operating temperature(°C)	10~35				
Power supply (90-264VAC)	PSU-AOM-DL				
Expected lifetime (hours)	10000				
Warranty	1 year				

Average power (mW)= Single pulse energy (μJ) Rep. rate(kHz)

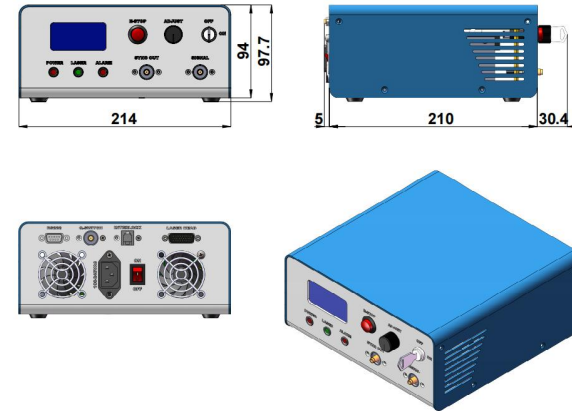
Note: The laser head needs to be used on a heat sink with good heat dissipation.

LASER HEAD



175 (L) × 60(W) × 48(H) mm³

POWER SUPPLY



245.4 (L) × 214(W) × 97.7(H) mm³, 3.2 kg