



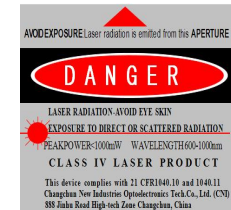
**AO-Ti-720/1~1400mW**

**LD PUMPED ALL-SOLID-STATE  
Q-SWITCHED LASER at 720nm**

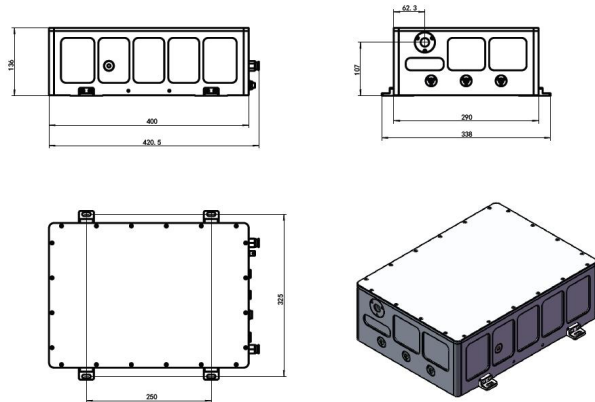
All solid state Q-switched red laser at 720nm has the features of high peak power, high repetition rate, and short pulse duration, which is widely used in marking, carving, measure, scientific research, and so on.

**SPECIFICATIONS**

Wavelength (nm)	720±2	
Operating mode	Acousto-Optic Q-switched	
Rep. rate (kHz)	30	50
Average power (mW)	1,2,3,...1300	1,2,3,...1400
Pulse duration (ns)	~25 @30kHz&1300mW	~40 @50kHz&1400mW
Single pulse energy (uJ)	43@30kHz	28@50kHz
Ave power stability (over 4 hours)	<3%, <1%	
Beam diameter at the aperture (1/e <sup>2</sup> ,mm)	2	
Beam divergence, full angle (mrad)	<2	
Polarization ratio	>100:1(horizontal)	
Beam height from base plate (mm)	107	
Warm-up time (minutes)	<10	
Cooled method	Water Cooled	
Operating temperature (°C)	15~35	
Power supply (220/110VAC)	PSU-AOM (3U)	
Expected lifetime (hours)	10000	
Warranty period	1 year	

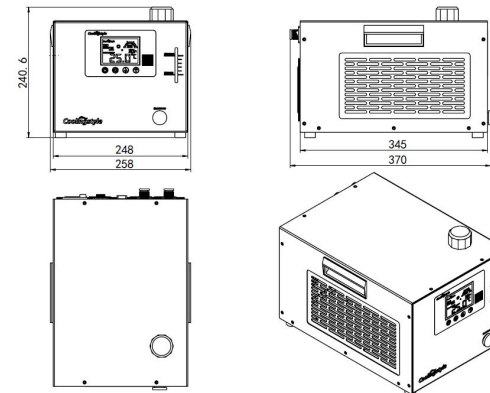


**AO-Ti-720**



420 (L) × 338(W) × 136(H) mm<sup>3</sup>, 21 kg

**Water chiller(WCH-580)**



370(L) × 258 (W) × 240.6(H) mm<sup>3</sup>, 8.3 kg