

AO-UA-532/0.5mJ/3W



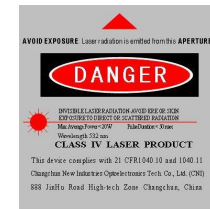
**LD PUMPED ALL-SOLID-STATE  
AOM Q-SWITCHED LASER**

All solid state AOM Q-switched laser at 532 nm has the features of high peak power, high repetition rate, and short pulse duration, which is used in laser inner carver, laser marking, scientific research and so on.

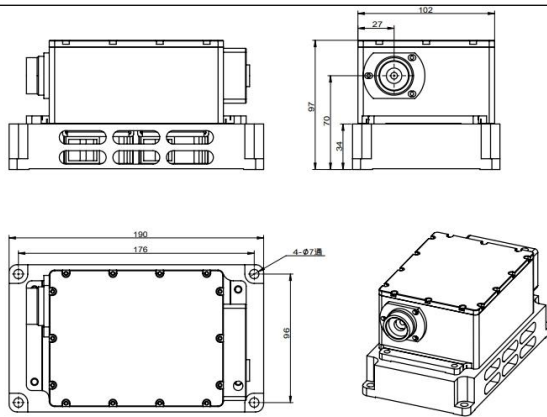


SPECIFICATIONS

Wavelength (nm)	532±1
Operating mode	Acousto-Optic Q-switched
Average power (W)	3W @5kHz Average power (W) = Single pulse energy (mJ) * Rep. rate (kHz)
Single pulse energy (mJ)	~0.5mJ @5kHz
Rep. rate (kHz)	1~5
Pulse duration (ns)	Typically <15 @5kHz, varies from power and repetition.
Peak power (kW)	~30 (30kW@5kHz)
Ave power stability (over 4 hours)	<5% , <3% , <2% , <1%
Beam quality (M <sup>2</sup> )	<1.2
Beam divergence, full angle (mrad)	~3.5
Beam diameter at the aperture (1/e <sup>2</sup> , mm)	~0.8
Polarization ratio	>100:1, Vertical
Warm-up time (minutes)	<10
Beam height from base plate (mm)	70
Cooled method	Air cooled
Operating temperature (°C)	10~35
Power supply (220/110VAC)	PSU-AOM

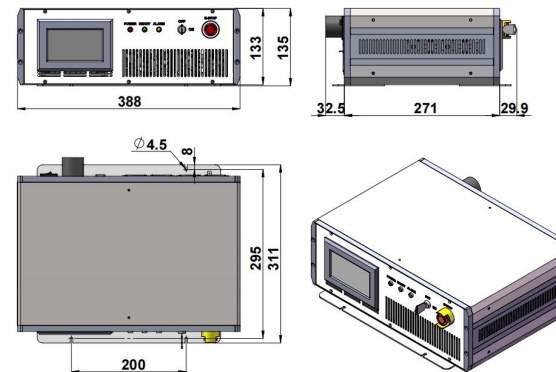


AO-UA-532



190 (L) × 102 (W) × 97 (H) mm<sup>3</sup>, 4.0 kg

PSU-AOM



388 (L) × 311 (W) × 135(H) mm<sup>3</sup>, 9.6 kg