

AO-W-1342 / 1~500 μJ / 2~4W



**LD PUMPED ALL-SOLID-STATE
AOM Q-SWITCHED LASER**

All solid state AOM Q-switched laser AO-W-1342 has the features of high peak power, high repetition rate, and short pulse duration, which is widely used in marking on harder metals such as Titanium, Inconel, or Tool Steel.

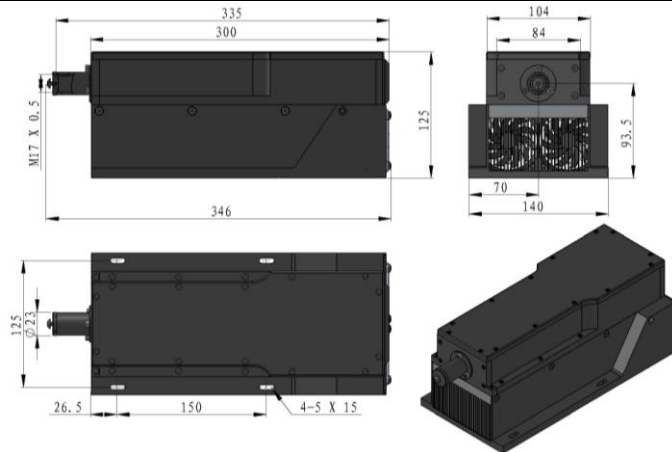


SPECIFICATIONS

| | |
|---|---|
| Wavelength (nm) | 1342±1 |
| Operating mode | Acousto-Optic Q-switched |
| Average power (W) | 2~4 (4W @10kHz) Average power (W) = Single pulse energy (mJ) * Rep. rate (kHz) |
| Single pulse energy (μJ) | 1~500 (500μJ @1kHz; 400μJ @10kHz; 150μJ @30kHz) |
| Rep. rate (kHz) | 1~50 |
| Pulse duration (ns) | Typically ~40 @10kHz, varies from power and repetition. |
| Peak power (kW) | 1~10 (10kW @10kHz) |
| Ave power stability (over 4 hours) | <1%, <2%, <3%, <5% |
| Warm-up time (minutes) | <10 |
| Beam divergence, full angle (mrad) | <2.0 |
| Beam diameter at the aperture (1/e ² , mm) | ~2.0 |
| Beam height from base plate (mm) | 93.5 |
| Polarization ratio | >100:1 |
| Cooled method | Air cooled |
| Operating temperature (°C) | 10~35 |
| Power supply (220/110VAC) | PSU-AOM |
| Expected lifetime (hours) | 10000 |
| Warranty period | 1 year |

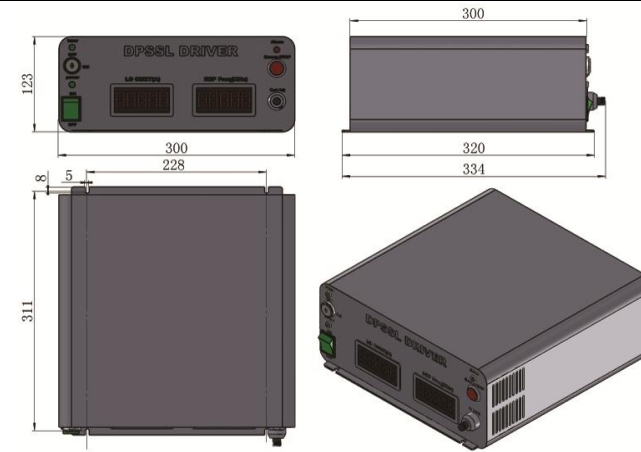


AO-W-1342



346 (L) x140 (W) x125 (H) mm³, 6.0 kg

PSU-AOM



334 (L) x300 (W) x123 (H) mm³, 6.8 kg