

DPS-1064-E/3~8mJ

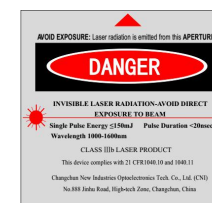
**HIGH ENERGY DIODE
PUMPED ALL-SOLID-STATE
Q-SWITCHED LASER**

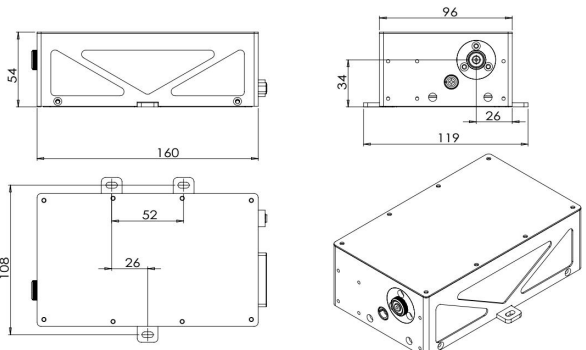
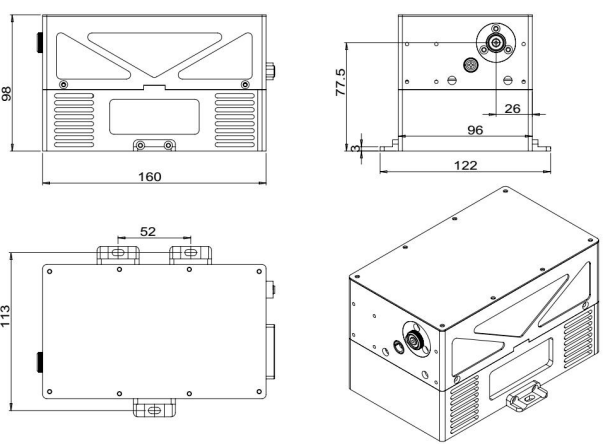
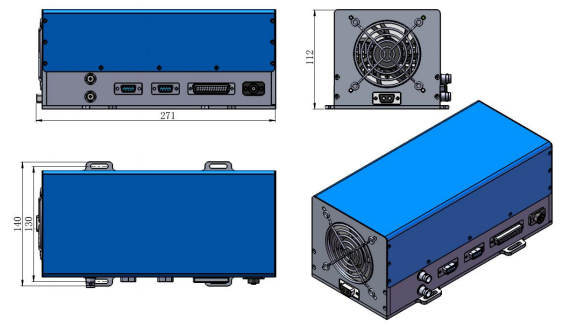
High energy diode pumped all solid state Q-switched laser at 1064nm has the features of high single pulse energy, short pulse duration, and high peak power, which is widely used in LIBS, LIF, ICP-MS, LCD repair, scientific research, military, and so on.



SPECIFICATIONS

Wavelength (nm)	1064±1	
Operating mode	Q-switched: EO (Electro-optic)	
Single pulse energy (mJ)	3	8
Pulse duration (ns)	<4	
Rep. rate (Hz)	1~50 (Optional), EXT	
Energy stability (rms)	<3%, <5%	
Beam divergence, full angle (mrad)	<3	
Beam diameter (mm)	~1	
Beam height from base plate (mm)	34	77.5
Warm-up time (minutes)	<15	
Cooled method	Conduction (DPS-1064-E- I)	Air cooled (DPS-1064-E- II)
Operating temperature (°C)	15~30	
Power supply (24V DC)	PSU-DPS-E	
Expected lifetime (pulses)	10 ⁹	
Warranty period	1 year	



DPS-1064-E- I	DPS-1064-E- II	PSU-DPS-E
 <p>160(L)×119(W)×54 (H)mm³, 2.5kg Heat dissipation is offered by customer</p>	 <p>160(L)×122(W)×98 (H)mm³, 3kg</p>	 <p>271 (L) ×140(W) ×112(H) mm³, 2.5 kg Rep. Rate and Current can be adjusted by touch screen</p>