

DPS-1064-Subnano/1mJ

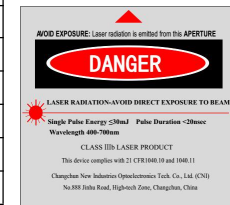
**HIGH ENERGY DIODE  
PUMPED ALL-SOLID-STATE  
Q-SWITCHED LASER**

High energy diode pumped all solid state Q-switched laser at 1064nm has the features of high single pulse energy, short pulse duration, and high peak power, which is widely used in Lidar, medical treatment, nonlinear optics, scientific research, and so on.

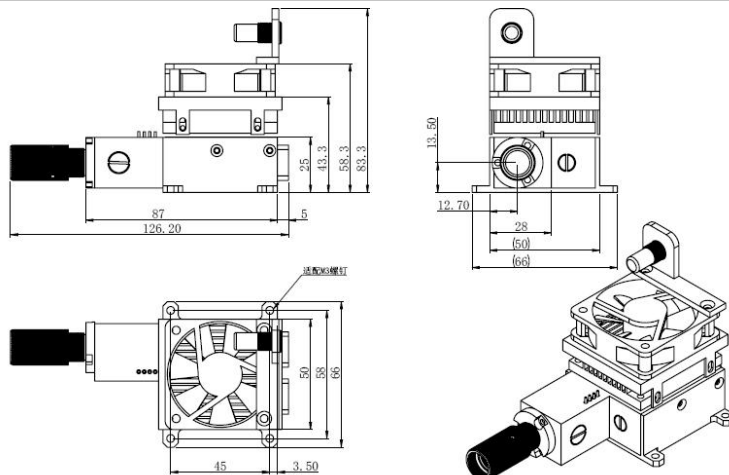


SPECIFICATIONS

Wavelength (nm)	1064±1
Operating mode	Q-switched: PM (Passive Modulation)
Single pulse energy (mJ)	1
Pulse duration (ns)	<1
Rep. rate (kHz)	1, EXT
Energy stability (rms)	<4%, <5%
Beam divergence, full angle (mrad)	<3
Beam diameter (mm)	~3
Warm-up time (minutes)	<15
Beam height from base plate (mm)	13.5
Cooled method	Conduction cooled
Operating temperature (°C)	15~30
Power supply (24V DC)	PSU-DPS-Subnano
Expected lifetime (pulses)	10 <sup>9</sup>
Warranty period	1 year

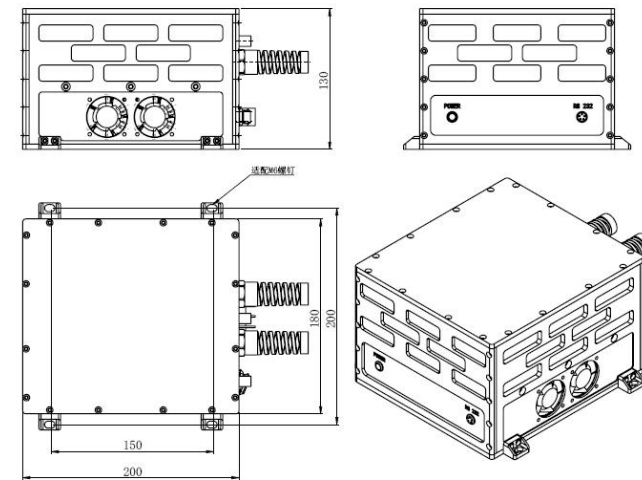


DPS-1064-Subnano



126.2(L)×66(W)×83.3(H)mm<sup>3</sup>, 1kg

PSU-DPS-Subnano



200 (L) × 200(W) × 130(H) mm<sup>3</sup>, 6 kg