

EO-532-D/1~2mJ

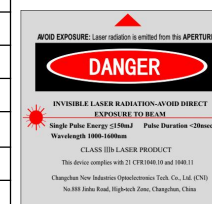
SPECIFICATIONS

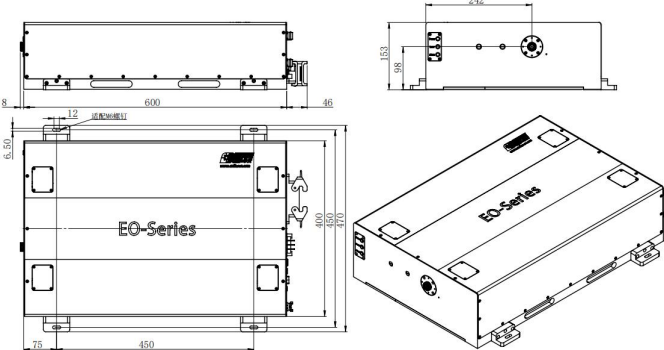
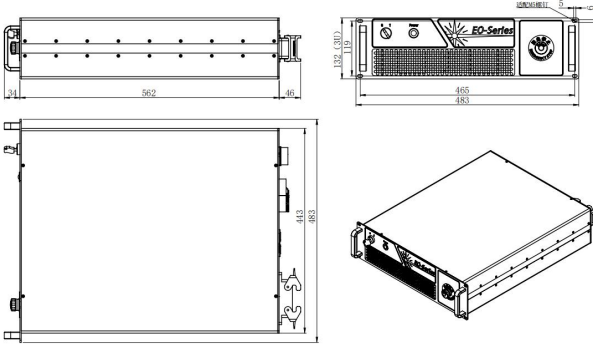
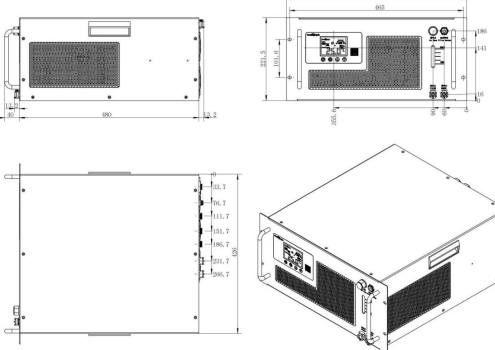
**HIGH ENERGY DIODE
PUMPED ALL-SOLID-STATE
Q-SWITCHED LASER**

High energy diode pumped all solid state Q-switched laser at 532nm has the features of high single pulse energy, short pulse duration, and high peak power, which is widely used in topography measurement, marking, ranging, glass carving, micro-processing, scientific research, and so on.



Wavelength (nm)	532±1	
Operating mode	Q-switched: EO (Electro-optic)	
Single pulse energy (mJ)	1@5KHz	2@5KHz
Pulse duration (ns)	<10@5KHz	
Rep. rate (kHz)	1~5	
Power stability (rms)	<5%, <3%, <2%	
M ²	<1.5	
Beam divergence, full angle (mrad)	<3	
Beam diameter (mm)	~1	
Beam height from base plate (mm)	98	
Warm-up time (minutes)	<15	
Cooled method	Water Cooled	
Operating temperature (°C)	15~30	
Power supply (DC 24V)	PSU-EO-D	
Expected lifetime (hours)	10000	
Warranty period	1 year	



EO-532-D	PSU-EO-D(DC 24V)	Water Chiller(WCH-1200)
 <p>655(L)×470(W)×153(H)mm³ 40.5kg</p>	 <p>642(L)×483(W)×132(H)mm³ 15.5kg</p>	 <p>533.2(L)×483(W)×221.5(H)mm³ 22kg</p>