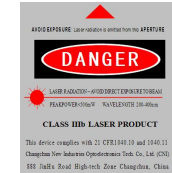




EO-S series

LD PUMPED ALL-SOLID-STATE ELECTRO-OPTIC Q-SWITCHED LASER

All solid state electro-optic Q-switched laser has the features of high single pulse energy, short pulse duration, and high peak power, which is widely used in laser distance measuring, laser Radar, laser Raman, ICP-MS, LIBS, scientific research and so on.



SPECIFICATIONS

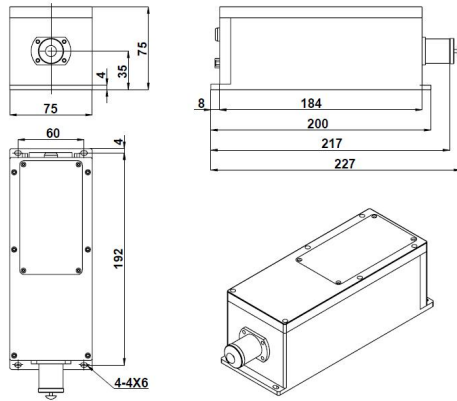
Wavelength (nm)	532±1	1064±1
Operating mode	Electro-optics Q-switched	
Max average power (mW) <sup>(1)</sup>	1~70	1~300
Single pulse energy (μJ)	1~70 (70μJ @1kHz; 10μJ @100Hz)	1~300 (300μJ @1kHz; 250μJ @100Hz)
Pulse duration (ns)	~6	~8
Peak power(kW)	0.16~12	0.125~37
Rep. rate (Hz)	1~1000	
Pulse Jitter <sup>(2)</sup> (Sdev) @1kHz	<1ns	
Power Stability (rms,over 4 hours)	<5%, <3%, <2%, <1%	
Transverse mode	Near TEM <sub>00</sub>	
M <sup>2</sup> factor	<2	
Beam Diameter at the aperture 1/e <sup>2</sup> (mm)	~1.0	
Beam divergence, full angle (mrad)	<1.5	
Warm-up Time (minutes)	<10	
Beam height from base plate (mm)	35	
Operating temperature (°C)	10~35	
Power supply (90-264VAC)	PSU-EOM-DL	
Expected lifetime (hours)	10000	
Warranty	1 year	

(1) Average power (mW)= Single pulse energy (μJ)\* Rep. rate(kHz)

(2) Precision of digital oscilloscope: bandwidth 1GHz; sample rate: 10GS/s.

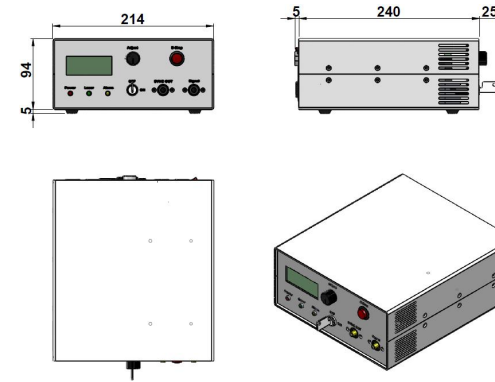
Note: The laser head needs to be used on a heat sink with good heat dissipation.

**LASER HEAD**



227 (L) × 75 (W) × 75 (H) mm<sup>3</sup>, 2.05kg

**POWER SUPPLY**



270 (L) × 214 (W) × 99 (H) mm<sup>3</sup>, 3.02 kg