

FC-NL series



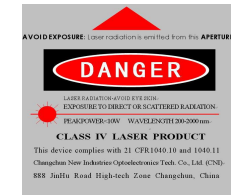
Dual-wavelength Narrow Linewidth Fiber Coupled Laser System

This series of lasers combines two wavelengths into one box and outputs from one optical fiber. It has the features that the linewidth of each wavelength is less than 0.1nm, which is widely used in Raman spectroscopy, biomedicine and dual wavelength metrology.

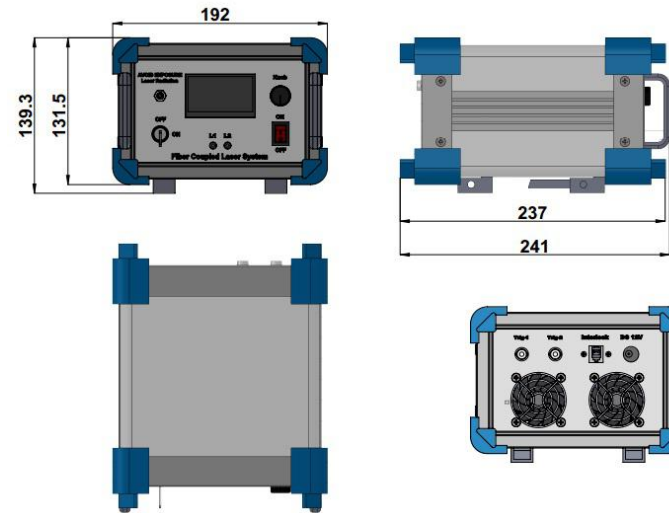


SPECIFICATIONS

Center wavelength (nm)	532/ 785	784/ 785	785/ 1064	830/ 1064
Wavelength tolerance(nm)	±0.5			
Output power after fiber(mW)	100/ 500	500/ 500	500/ 800	600/ 800
Operating mode	CW			
Power stability (rms, over 4 hours)	<1%, <3%, <5%			
Spectral line width (nm)	<0.1			
Central wavelength stability (rms, over 2 hours) (pm)	<10			
Fiber Core Diameter(μm)	100, 0.22NA			
Fiber Connector	SMA905/ FC			
Input voltage	12VDC			
Warm-up time (minutes)	<10			
Operating temperature (°C)	10~35			
TTL / Analog modulation	TTL or Analog with 1Hz-1kHz 1kHz-10kHz, 10kHz-30kHz optional			
Cooling way	By air			
Expected lifetime (hours)	10000			
Warranty	1 year			



FC-NL



192(L) × 241(W) × 139.3(H) mm³