



FL-1030-PS/1~2000mW

SPECIFICATIONS

MODE-LOCKED ALL FIBER PULSED LASER

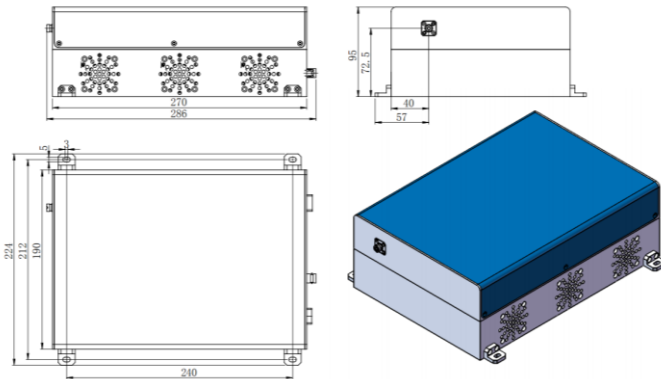
Mode-locked all fiber pulsed laser at 1030nm with SESAM technique is made features of high output power stability, good beam profile, ultra compact, long lifetime, cost-effectiveness and easy operating, which is widely used in laser radar, precision marking, precision drilling, life science, precision etching, microelectronics, scientific research, etc.



Wavelength (nm)	1030±1				
Operating mode	Passive mode-locked				
Output power (mW)	1	20	100	1000	2000
Power stability (rms, over 4 hours)	<1%, <3%			<0.5%, <1%, <3%	
Pulse width (ps)	<10				
M ² factor	<1.2			<1.5	
Repetition frequency (MHz)	One fixed value between (20-50) ±1 MHz				
Polarization ratio	Random / > 15dB				
Warm-up time (minutes)	<15				
Delivery cable length (m)	variable				
Operating temperature (°C)	15~35				
Power supply	12V DC				
Expected lifetime (hours)	10000				
Warranty	1 year				



FL-1030-PS



286(L)×190(W) ×95(H) mm³ 2.5kg

