

HPL-532-PA/ 1~50mJ

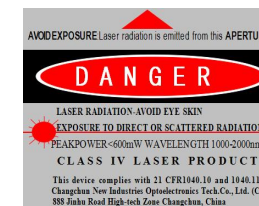
**WATER COOLING LD PUMPED  
ALL-SOLID-STATE Q-SWITCHED  
LASER at 532nm**

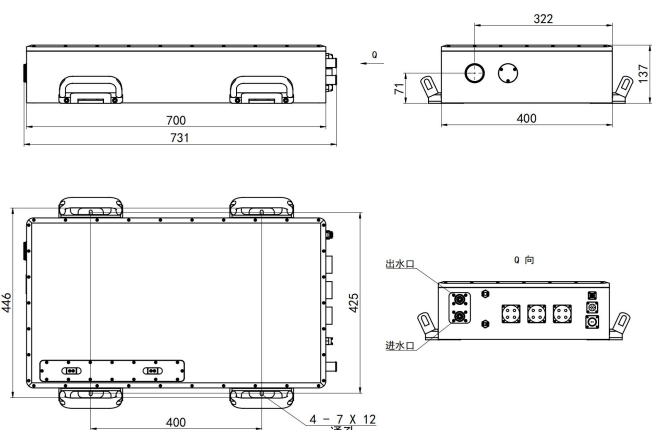
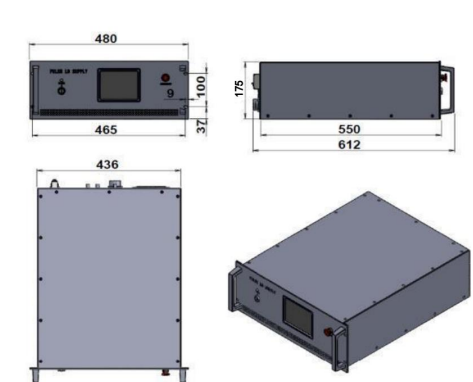
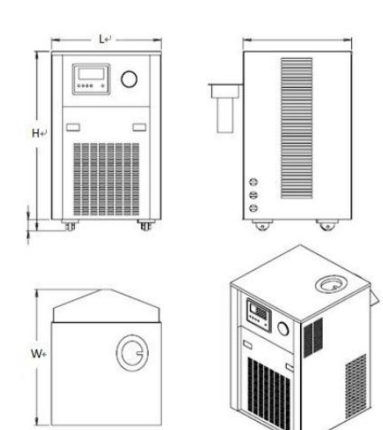
All solid state Q-switched laser at 532nm has the features of high peak power, high repetition rate, and short pulse duration, which is widely used in marking, carving, measure, scientific research, and so on.



SPECIFICATIONS

Wavelength (nm)	532±1
Operating mode	Electro-optic Q-switched
Pulse duration (ns)	~10@200Hz
Average power (W)	10
Single pulse energy (mJ)	50
Rep. rate (Hz)	200
Peak power (MW)	5
Power stability (rms, over 4 hours)	<3%
Beam divergence, full angle (mrad)	<1
Beam diameter at the aperture (mm)	~8
Beam height from base plate (mm)	71
Warm-up time(minutes)	<10
Cooled method	Water cooled
Operating temperature (°C)	15~35
Power supply (220/110VAC)	PSU-HPL-PA*3
Expected lifetime (hours)	10000
Warranty period	1 year



HPL-532-PA	PSU-HPL-PA	Water Chiller
 <p>731(L) × 425 (W) × 137(H) mm<sup>3</sup>, 40 kg</p>	 <p>612 (L) × 480(W) × 175(H) mm<sup>3</sup>, 25 kg</p>	 <p>470 (L) × 565(W) × 900(H) mm<sup>3</sup>, 75kg 525 (L) × 595(W) × 1015(H) mm<sup>3</sup>, 95kg</p>