



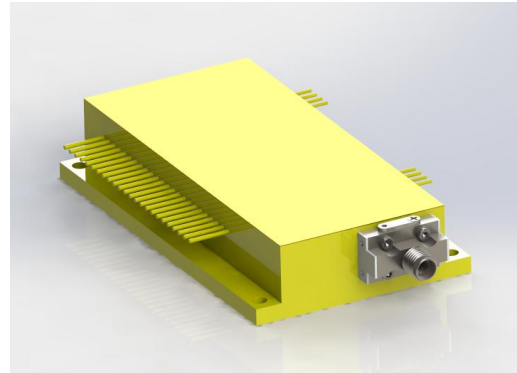
1064/980/915/808/640/450nm Laser Diode

■ Features

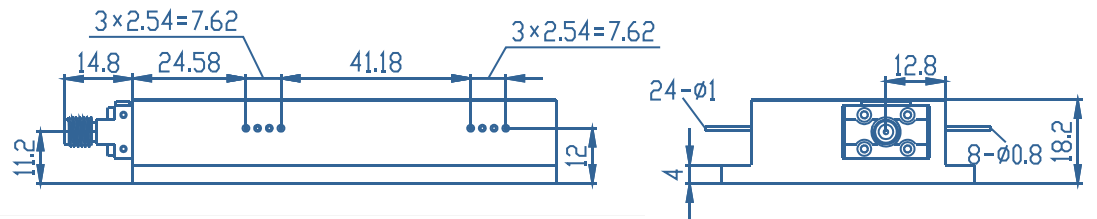
- ◆ High output power of 15/15/15/15/0.5/6W
- ◆ 400μm/0.22NA multimode optical fiber
- ◆ Centerwavelength 1064/980/915/808/640/450±10nm

■ Applications

- ◆ Medical Application

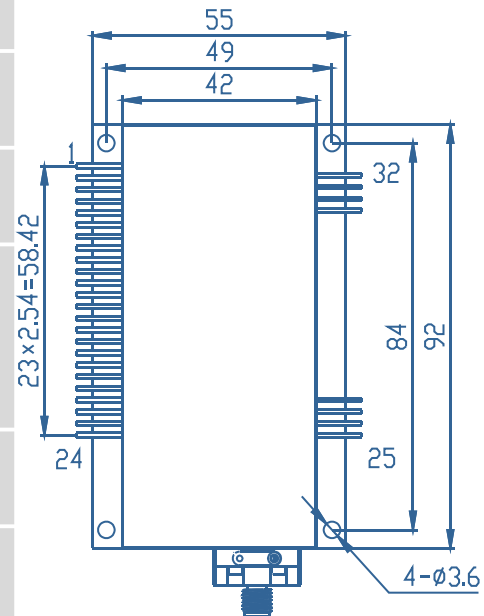


Outline Dimension (mm)



Pin-out Assignment

Pin	Function	Pin	Function	Pin	Function	Pin	Function
1	1064LD(+)	9	915LD (+)	17	808LD(-)	25	Fiber Connector Detector LED(-)
2	-	10	-	18	640LD (+)	26	Fiber Connector Detector LED(+) Fiber Connector Detector PD(N)
3	-	11	-	19	640LD(-)	27	Fiber Connector Detector PD(P)
4	1064LD(-)	12	915LD(-)	20	Indicator light (+)	28	-
5	980LD(+)	13	808LD(+)	21	Indicator light (-)	29	PD (N)
6	-	14	-	22	-	30	PD (P)
7	-	15	-	23	450LD(+)	31	Thermistor
8	980LD (-)	16	-	24	450LD (-)	32	Thermistor



Typical Device Performance (25°C)

	Typical						Unit
Optical							
Center Wavelength	1064±10	980±10	915±10	808±10	640±10	450±10	nm
CW Output Power	15	15	15	15	0.5	6	W
Spectral Width (90%Energy)	<10.0	<10.0	<10.0	<10.0	<10.0	<10.0	nm
Wavelength Shift with Temperature	0.33	0.33	0.33	0.33	0.33	-	nm/°C
Electrical							
Threshold Current	1.1	0.6	1.0	2.0	0.2	0.7	A
Operating Current	10.5	9.0	9.2	9.6	0.95	2.6	A
Operating Voltage	3.0	3.3	3.5	3.6	2.3	8.4	V
Slope Efficiency	1.6	1.8	1.8	2.0	0.7	3.2	W / A
Power Conversion Efficiency	47.0	50.0	47.0	43.0	23.0	28.0	%
Indicator light							
CW Output Power	1						mW
Center Wavelength	515±10						nm
Operating Current	-						mA
Operating Voltage	9.0						V
Fiber*							
Fiber Core Diameter	400						μm
Fiber Cladding Diameter	440						μm
Numerical Aperture	0.22						-
Fiber Length	1-5						m
Fiber Connector	SMA905						-
Absolute							
PD	100-1000						uA
*Indicator light: Built-in constant power output control circuit can drive indicator light only by providing external 9V constant voltage source.							
* Customized fiber and connector available.							

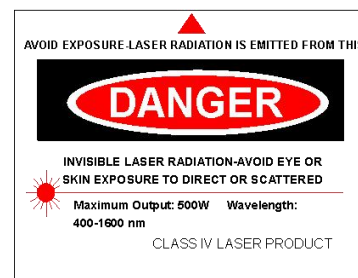
Absolute Ratings

	Min	Max	Unit
Operating Temperature	15	35	°C
Operating Relative Humidity	-	75	%
Storage Temperature	-20	80	°C
Storage Relative Humidity	-	90	%
Lead Soldering Temperature (10 s max)	-	250	°C

* Measuring specifications.

All figures in this specification are measured by CNI's method and may contain measurement

The above specifications are for reference purpose only and subjected to change without prior notice.



Changchun New Industries Optoelectronics Tech. Co., Ltd
<http://www.cnilaser.com>

◆ CONTACT

No.888, JinHu Road, High-tech zone, Changchun
130103, R.P. China

Phone: 0086-431-85603799

Fax: 0086-431-87020258