

MDL-E-410/1~50mW



**NARROW LINEWIDTH
DIODE LASER AT 410nm**

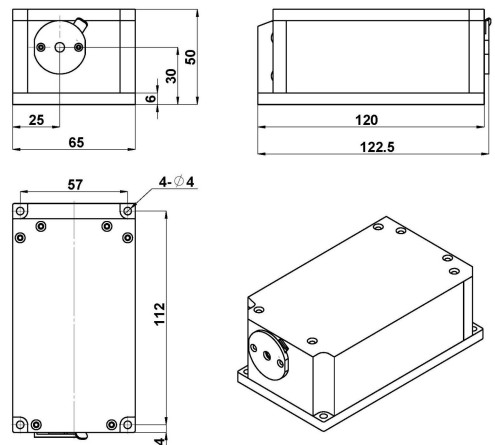
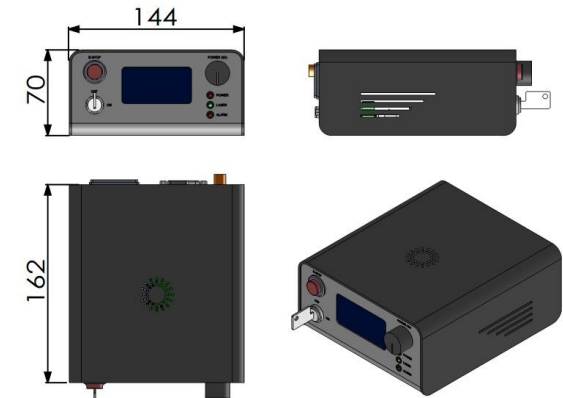
It features a narrow spectral linewidth, stable wavelength, long lifetime and easy operation. They are widely used in precision measurement, high resolution spectrum analysis, etc.



SPECIFICATIONS

Central wavelength (nm)	410±1
Operating mode	CW
Output power (mW)	>1, 5, 10, ..., 50
Power stability (rms, over 4 hours)	<3%, <2%, <1%
Transverse mode	Near TEM ₀₀
Spectral linewidth (nm)	<0.06 (<0.03, optional)
M ² factor	<1.5
Beam diameter at the aperture (1/e ² , mm)	~1.3
Beam divergence, full angle (mrad)	<1.5
Polarization ratio	>50:1 (>100:1, optional) Horizontal±5 degree (Vertical Optional)
Warm-up time (minutes)	<5
Beam height from base plate (mm)	30
Operating temperature (°C)	20~30
Power supply (100-240VAC)	PSU-A-D
Expected lifetime (hours)	10000
Warranty	1 year



MDL-E-410	PSU-A-D
 <p>122.5(L) × 65(W) × 50 (H) mm³, 1.0kg</p>	 <p>162(L) × 144(W) × 70 (H) mm³, 1.0kg</p>