

**MDL-III-1064-SM/1~500mW**



**INFRARED DIODE LASER  
AT 1064nm**

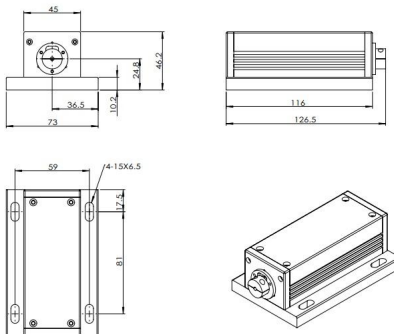
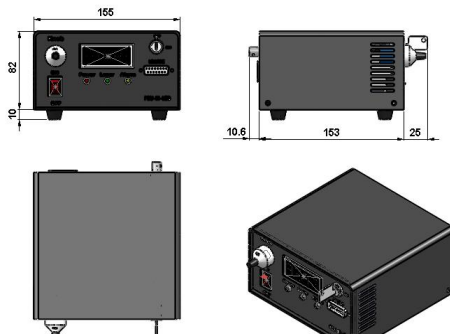
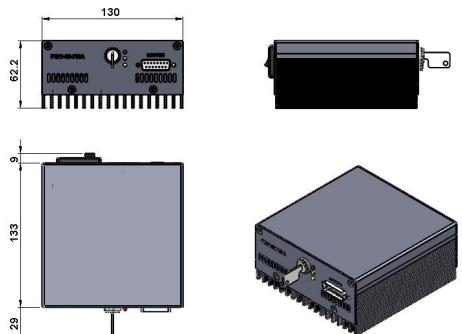
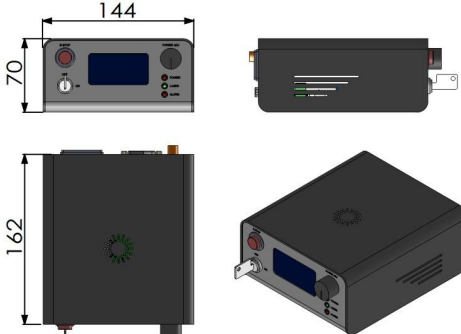
It features ultra compact design, long lifetime, cost-effectiveness and easy operation. They are used in measurement, communication, spectrum analysis, etc.



**SPECIFICATIONS**

Central wavelength (nm)	1064±10	1064±2	1064±2
Operating mode	CW		
Output power after fiber (mW)	>1, 2, 3, ...,10	>10, 20, ...,50	>50, 100, ...,500
Power stability (rms, over 4 hours)	<3%, <2%, <1%, <0.5%		
Fiber type	SM fiber (PM fiber optional)		
Fiber Core Diameter(μm)	4-9		
Fiber NA	0.12		
Fiber Connector	FC/PC, FC/APC		
Fiber Length (m)	1 (Other lengths are available on request)		
Transverse mode	TEM <sub>00</sub>		
Ellipticity	>0.95		
M <sup>2</sup> factor after fiber	~1.1		
Warm-up time (minutes)	<5		
Operating temperature (°C)	10~35		
Power supply	85-264VAC	PSU-III-LED/ PSU-III-FDA (Frequency for 1Hz-30kHz)	
	100-240VAC	PSU-A-D (Frequency for 30kHz -100kHz)	
Modulation optional	TTL on/off, 1Hz-1kHz, 1kHz-10kHz, 10kHz-30kHz, 30kHz-100kHz; and Analog modulation optional		
Expected lifetime (hours)	10000		
Warranty	1 year		



MDL-III-1064-SM	PSU-III-LED	PSU-III-FDA	PSU-A-D
 <p style="text-align: center;"><b>126.5(L) × 73(W) × 46.2(H) mm<sup>3</sup>, 0.7kg</b></p>	 <p style="text-align: center;"><b>188.6 (L) × 155(W) × 92 (H) mm<sup>3</sup>, 1.5kg</b></p>	 <p style="text-align: center;"><b>171(L) × 130(W) × 62.2 (H) mm<sup>3</sup>, 1.2kg</b></p>	 <p style="text-align: center;"><b>162(L) × 144(W) × 70 (H) mm<sup>3</sup>, 1.0kg</b></p>