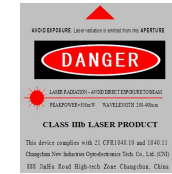




**MGL-A-xxx series**

**LD PUMPED ALL-SOLID-STATE LASER**

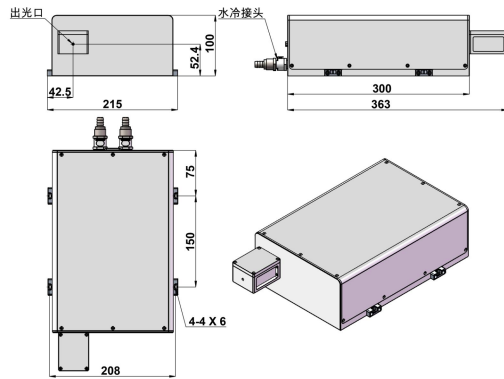
All solid-state CW mode laser is made features of ultra compact, easy operating, high power and stability, which is perfect for flow cytometry, spectrum analysis, microscopy, semiconductor inspection, cell sorting, optical instrument, physics experiment, etc.



**SPECIFICATIONS**

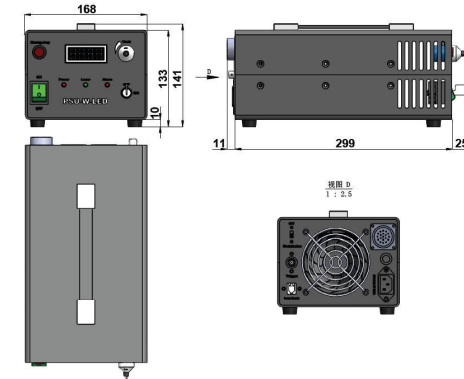
Part number	MGL-A-536	MGL-A-552
Wavelength (nm)	536±1	552±1
Operating mode	CW	
Output power (mW)	500-4000	300-2000
Power stability (rms, over 4 hours)	<5%, <3%	<5%, <3%
Transverse mode	TEM <sub>00</sub>	
M <sup>2</sup> factor	<1.5	<2.0
Beam diameter at the aperture (1/e <sup>2</sup> , mm)	<1.2	<1.5
Beam divergence, full angle (mrad)	<1.5	<2.0
Polarization Ratio	>100:1 Horizontal (Vertical Optional)	
Warm-up time (minutes)	<10	
Pointing stability after warm-up (mrad)	<0.05	
Cooled method (Water cooled)	WCH-580	
Beam height from base plate (mm)	52.4	
Operating Temperature (°C)	10-35	
Modulation optional	TTL on/off, 1Hz-1KHz, 1KHz-10KHz, 10KHz-30KHz; and Analog modulation optional	
Power supply (90-264VAC)	PSU-W-LED/PSU-W-FDA	
Warranty	1 year	

**LASER HEAD**



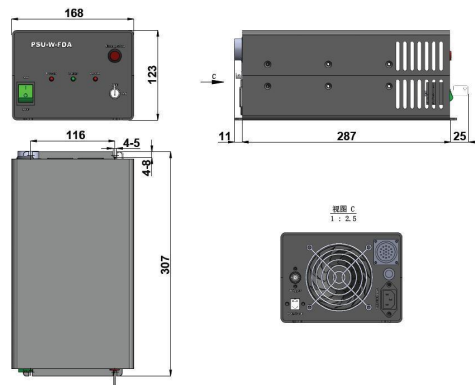
363(L)×215(W)×100(H) mm<sup>3</sup>, 8.0 kg

**POWER SUPPLY (PSU-W-LED)**



335 (L) ×168(W) ×141 (H) mm<sup>3</sup>, 4.2 kg

**POWER SUPPLY (PSU-W-FDA)**



323(L) ×168(W) ×123(H) mm<sup>3</sup>, 4.1 kg

**Water Chiller (WCH-580)**



253.2(L) ×363.8(W) ×240.6(H) mm<sup>3</sup>, 11.0 kg