



MGL-FN-xxx-AOM series

HIGH FREQUENCY MODULATED ALL-SOLID-STATE LASER

The modulation frequency of high frequency modulation laser system is up to 1MHz. It can be used in the field like laser graphic processing, laser digital communications, etc. It have the feature of high extinction ratio, coding easily, usability, etc

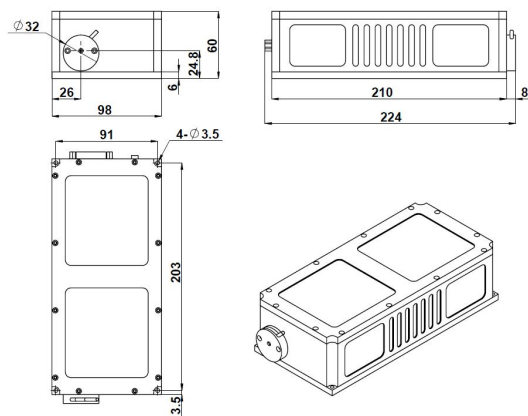


SPECIFICATIONS

Part number	MGL-FN-532-AOM	MGL-FN-556-AOM	MGL-FN-561-AOM
Wavelength (nm)	532±1	556±1	561±1
Output power (mW)	150-1000	1-100	1-100
Power Stability (rms,over 4 hours)	<3%, <2%, <1%		
Transverse mode	Near TEM <sub>00</sub>		
M <sup>2</sup> factor	<1.5		
Beam Diameter at the aperture 1/e <sup>2</sup> (mm)	<1.5		
Beam divergence, full angle (mrad)	<1.5		
Polarization ratio	>100:1, Horizontal (Vertical Optional)	>100:1, Vertical (Horizontal Optional)	
Warm-up Time (minutes)	<5		
Pointing stability after warm-up (mrad)	<0.05		
Beam height from base plate (mm)	24.8		
Operating temperature(°C)	10~35		
Power supply (90-264VAC)	PSU-H-FDA-AOM		
Modulation	1MHz		
Expected lifetime (hours)	10000		
Warranty	1 year		

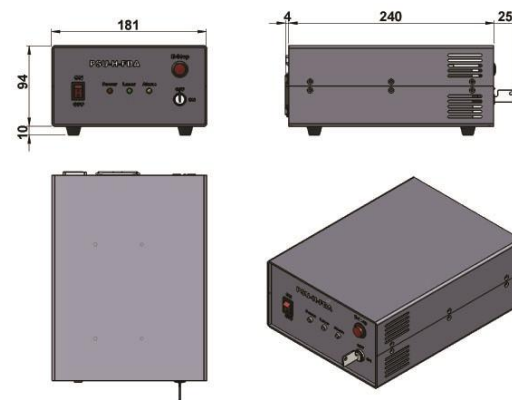


LASER HEAD



224(L)×98(W)×60(H) mm<sup>3</sup>, 1.9kg

POWER SUPPLY



269 (L) ×181(W) ×104(H) mm<sup>3</sup>, 2.7 kg