



MGL-U-xxx-OEM series



DPSS LASER

All solid state laser is made features of ultra compact, long lifetime, high stability and reliability, which is used in scientific experiment, medical measurement, instrument, spectrum analysis, etc.



SPECIFICATIONS

Part number	MGL-U-532-OEM	MGL-U-543-OEM	MGL-U-556-OEM	MGL-U-561-OEM	MGL-U-577-OEM	MGL-U-585-OEM			
Wavelength (nm)	532±1	543±1	556±1	561±1	577±2	585±1			
Operating mode	CW								
Output power (mW)	1- 1000	1000-1500	1-200	1-200	50-100	100-300	1-100	100-500	1-50
Power stability (rms, over 4 hours)	<3%,<2%,<1%	<3%,<2%	<3%,<2%,<1%	<3%,<2%,<1%	<3%,<2%,<1%	<3%,<2%	<3%,<2%,<1%	<3%,<2%	<3%,<2%
Transverse mode	TEM <sub>00</sub>						Near TEM <sub>00</sub>		
M <sup>2</sup> factor	<1.2				<1.5		<2.0		
Beam diameter at the aperture (1/e <sup>2</sup> , mm)	<1.0								
Beam divergence (mrad)	<1.5								
Polarization Ratio	>100:1, Horizontal (Vertical Optional)	>100:1, Vertical (Horizontal Optional)			>100:1, Horizontal (Vertical Optional)				
Warm-up time (minutes)	<5								
Pointing stability after warm-up (mrad)	<0.05								
Beam height from base plate (mm)	27.4								
Laser head consumption(W)	15 (typical) , <25 (40°C)								
Max. Laser Head Base plate Temp (°C)	50								
Operating Temperature (°C)	10-35								
Modulation optional	TTL on/off, 1Hz-1kHz, 1kHz-10kHz, 10kHz-30kHz; and Analog modulation optional								
Power supply (90-264VAC)	PSU-H-OEM/ PSU-SR-DC12V (OEM)/ PSU-SR-OEM								
Expected lifetime (hours)	10000								
Warranty	1 year								

Note: The laser head needs to be used on a heat sink with good heat dissipation.

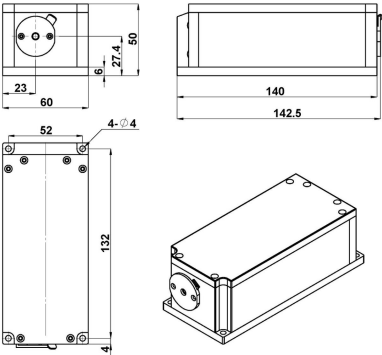
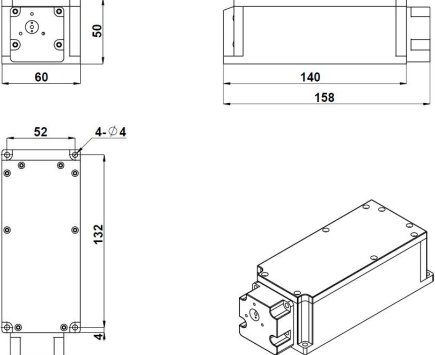
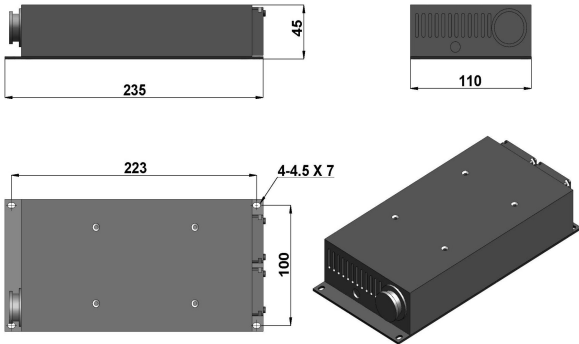
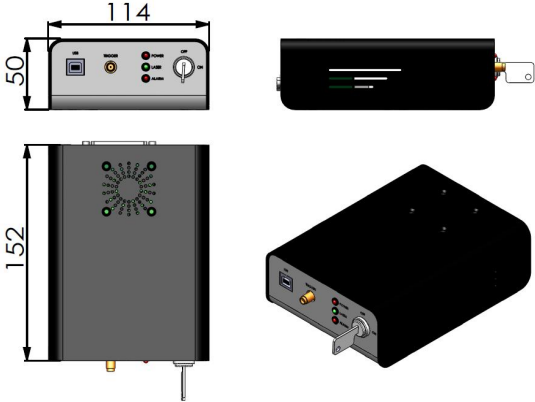
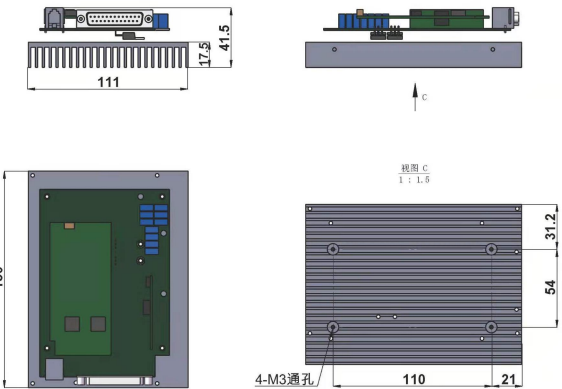


SPECIFICATIONS

Part number	MGL-U-588-OEM	MGL-U-589-OEM
Wavelength (nm)	588±1	589±1
Operating mode	CW	
Output power (mW)	1-200	1-200
Power stability (rms, over 4 hours)	<3%,<2%,<1%	<3%,<2%,<1%
Transverse mode	TEM <sub>00</sub>	
M <sup>2</sup> factor	<1.2	
Beam diameter at the aperture (1/e <sup>2</sup> , mm)	<1.0	
Beam divergence (mrad)	<1.5	
Polarization Ratio	>100:1, Horizontal (Vertical Optional)	
Warm-up time (minutes)	<5	
Pointing stability after warm-up (mrad)	<0.05	
Beam height from base plate (mm)	27.4	
Laser head consumption(W)	15 (typical) , <25 (40℃)	
Max. Laser Head Base plate Temp (°C)	50	
Operating Temperature (°C)	10-35	
Modulation optional	TTL on/off, 1Hz-1kHz, 1kHz-10kHz, 10kHz-30kHz; and Analog modulation optional	
Power supply (90-264VAC)	PSU-H-OEM/ PSU-SR-DC12V (OEM)/ PSU-SR-OEM	
Expected lifetime (hours)	10000	
Warranty	1 year	

Note: The laser head needs to be used on a heat sink with good heat dissipation.



LASER HEAD	LASER HEAD (MGL-U-594-OEM)	POWER SUPPLY (PSU-H-OEM)
 <p>142.5 (L)×60(W)×50(H) mm<sup>3</sup>, 1.0 kg</p>	 <p>158 (L)×60(W)×50(H) mm<sup>3</sup>, 1.0 kg</p>	 <p>235(L)×110(W)×45(H) mm<sup>3</sup>, 1.1kg</p>
POWER SUPPLY (PSU-SR-DC12V)	POWER SUPPLY (PSU-SR-OEM)	
 <p>152(L)×114(W)×50(H) mm<sup>3</sup>, 0.5kg</p>	 <p>150(L)×111(W)×41.5(H) mm<sup>3</sup>, 0.8kg</p>	