



MIL-W-2600~4400/1~1000mW

SPECIFICATIONS

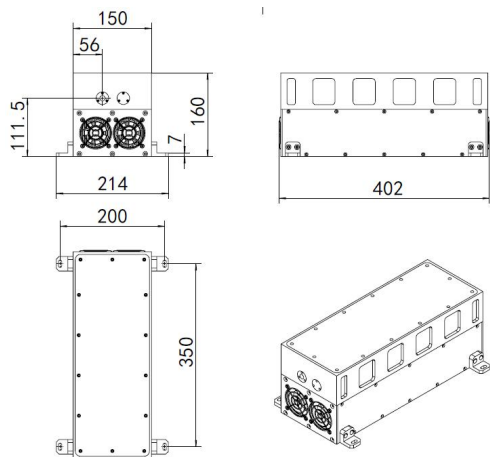
LD PUMPED ALL-SOLID-STATE
MID-IR LASER AT 2600~4400nm

The series of laser provide a CW output power of about max 1000mW and has a wide tuning range. The customer can order any wavelength range in the list. It is widely used in spectroscopy, remote sensing, medical, etc.

Wavelength (nm)	2600	2800	3000	3200	3400	3600	4000	4200	4400
Wavelength deviation (nm)	±30								
Operating mode	CW								
Output power (mW)	>1, 100, 200, ... 1000						1-600	1-300	1-200
Power stability (rms, over 4 hours)	<5%, <10%								
Beam divergence, full angle (mrad)	<10								
Beam diameter at the aperture (1/e ² ,mm)	<10								
Beam height from base plate (mm)	111.5								
Warm-up time (minutes)	<10								
Operating temperature (°C)	15~30								
Power supply (90-264VAC)	PSU-AOM(3U)								
Expected lifetime (hours)	10000								
Warranty period	1 year								

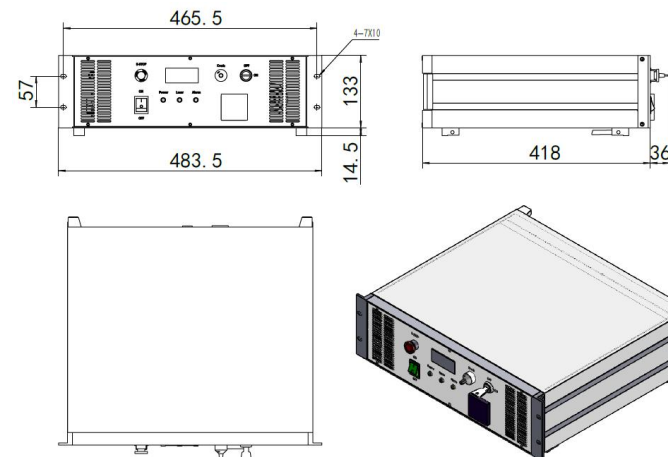


MIL-W-2600~4400



402(L)×214(W)×160(H) mm³, 11.5kg

PSU-AOM(3U)



483.5 (L) ×454 (W) ×147.5 (H) mm³, 8.3 kg