

MLL-III-445/447/450/1~1000mW



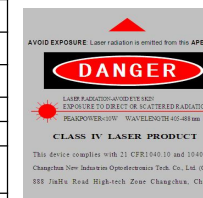
LOW NOISE BLUE DIODE LASER AT 445/447/450nm

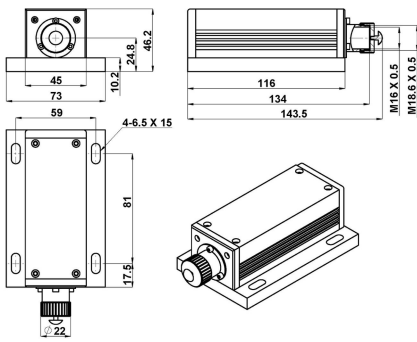
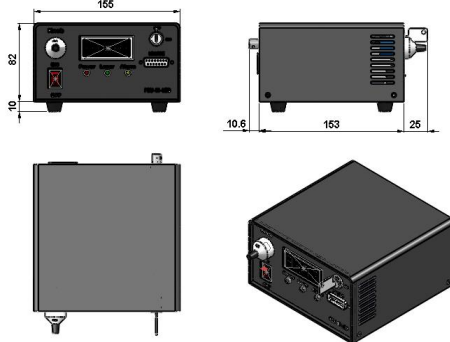
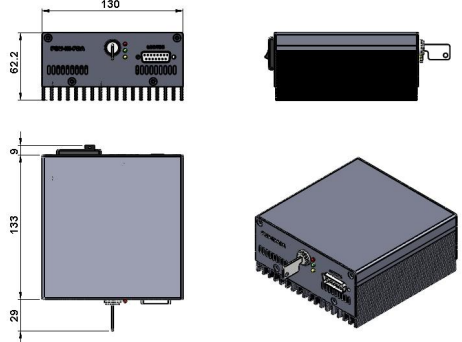
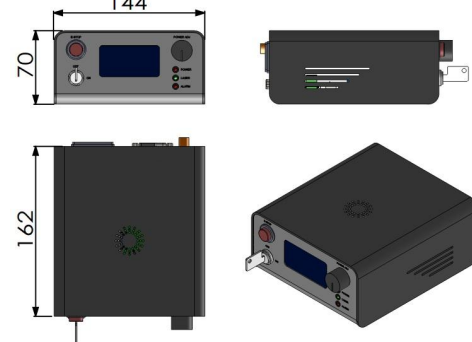
It features ultra compact design, long lifetime, cost-effectiveness and easy operation. They are widely used in scientific research, laser pointing, show and RGB mixed laser systems applications.



SPECIFICATIONS

Model	MLL-III-445	MLL-III-447	MLL-III-450
Central wavelength (nm)	445±5	447±5	450±5
Operating mode	CW		
Output power (mW)	>1,50,....,500		>500,600,....,1000
Power stability (rms, over 4 hours)	<3%, <2%, <1%, <0.5%		
Transverse mode	Multimode		
Noise of amplitude(rms,20Hz~20MHz)	<1%		
Beam diameter at the aperture ((1/e ²),mm)	<2.5×5.2		<2×5
Beam divergence, full angle (mrad)	<2.1×1.6		<2.5×0.2
Polarization ratio	>50:1 (>100:1, optional) Horizontal±5 degree (Vertical Optional)		
Warm-up time (minutes)	<5		
Beam height from base plate (mm)	24.8		
Operating temperature (°C)	10~35		
Power supply	85-264VAC	PSU-III-LED/ PSU-III-FDA (Frequency for 1Hz-30kHz)	
	100-240VAC	PSU-A-D (Frequency for 30kHz -100kHz)	
Modulation optional	TTL on/off, 1Hz-1kHz, 1kHz-10kHz, 10kHz-30kHz, 30kHz-100kHz; and Analog modulation optional		
Expected lifetime (hours)	10000		
Warranty	1 year		



MLL-III-445/447/450	PSU-III-LED	PSU-III-FDA	PSU-A-D
 <p>143.5(L)×73(W)×46.2(H) mm³, 0.7kg</p>	 <p>188.6 (L) ×155(W) ×92 (H) mm³, 1.5kg</p>	 <p>171(L) ×130(W) ×62.2 (H) mm³, 1.2kg</p>	 <p>162(L) ×144(W) ×70 (H) mm³, 1.0kg</p>