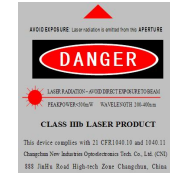




MPL-S series

LD PUMPED ALL-SOLID-STATE Q-SWITCHED LASER

All solid state Q-switched laser at 1064nm has the features of high peak power and short pulse duration, which is widely used in scientific research, laser micromaching, laser radar ranging, environment monitoring, laser ultrasonic monitoring and LIBS (Laser Induced Breakdown Spectroscopy) etc.

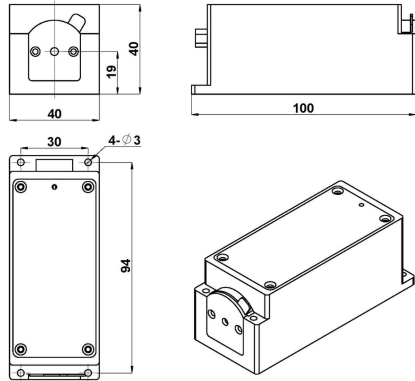


SPECIFICATIONS

Model	MPL-S-946		MPL-S-1064-A	MPL-S-1064-B			MPL-S-1064-C	
Wavelength (nm)	1064±1							
Operating mode	Q-switched pulsed laser							
Max average power (mW)*	1~50	1~100	1~50	1~5	1~8	1~25	1~50	1~200
Single pulse energy (μJ)	1~50	1~25	1~50	1~10	1~8	1~5	1~70	1~40
Pulse duration (ns)	~2.6	~4	~0.4	~0.6			~0.8	
Peak power (kW)	27	6.25	2.5~125	1.66~16.6	1.66~13.3	1.66~8.3	1.25~62.5	1.25~50
Rep. rate (kHz) (optional)	0.01~1.0	1~4	0.1~1.0	0.1~0.5	0.6~1.0	1~5	0.01~1.0	1~5
Ave power stability (over 4 hours)	<5%, <3%, <2%							
Transverse mode	TEM <sub>00</sub>							
M <sup>2</sup> factor	<1.5							
Beam diameter at the aperture (mm)	~1.0							
Beam divergence, full angle (mrad)	<1.5							
Polarization ratio	/		>100:1, Horizontal (Vertical Optional)					
Warm-up time (minutes)	<5							
Beam height from base plate (mm)	19							
Operating temperature (°C)	10~35							
Power supply (90-264VAC)	PSU-SR							
Expected lifetime (hours)	10000							
Warranty	1 year							

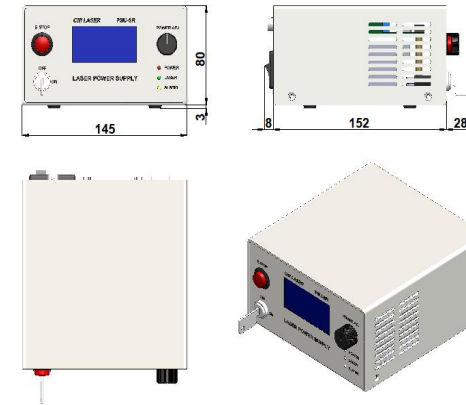
\*Average power (mW)= Single pulse energy (μJ)\* Rep. rate(kHz)

**LASER HEAD**



100(L)×40(W) ×40(H) mm<sup>3</sup>

**POWER SUPPLY**



188(L) ×145(W) ×83(H) mm<sup>3</sup>, 1.2kg