



MPL-T series

LD PUMPED ALL-SOLID-STATE Q-SWITCHED LASER

All solid state Q-switched laser has the features of high peak power and short pulse duration, which is widely used in scientific research, laser micromaching, laser radar ranging, environment monitoring, laser ultrasonic monitoring and LIBS (Laser Induced Breakdown Spectroscopy) etc.



SPECIFICATIONS

Wavelength (nm)		532±1				1064±1					
Operating mode		Frequency conversion of Q-switched pulsed laser				Q-switched pulsed laser					
Max average power (mW)*		~3mW	~3mW	~30mW	~180mW	~8mW	~6mW	~40mW	~100mW	~200mW	~350mW
Single pulse energy (μJ)		1~3	1~5	1~5	1~10	1~8	1~10	1~4	1~2.5	1~20	1~35
Pulse duration (ns)		~0.5		~1.3	3~5	~0.5				~1.5	3~5
Peak power (kW)		2~6	2~10	0.8~4	0.3~2	2~16	2~20	2~8	2~5	0.6~13	0.3~7
Rep. rate (kHz)	INT FIXED (One internal fixed rep.rate)	0.7k~1kHz	0.1k~0.6kHz	1Hz~4kHz (Optional)		0.7k~1kHz	0.1k~0.6kHz	/		1Hz~4kHz (Optional)	
	EXT TRIG (External triggered)	/		1Hz-4kHz		/				1Hz-4kHz	
	QCW	/		Between 5k-15kHz		/		Between 4k-10kHz	Between 10k-40kHz	Between 5k-20kHz	
Ave power stability (over 4 hours)		<5%, <3%, <1%									
Transverse mode		TEM ₀₀									
M ² factor		<1.5									
Beam diameter at the aperture (mm)		~1.2									
Beam divergence, full angle (mrad)		<1.5									
Polarization ratio		>100:1, Vertical (Horizontal Optional)				>100:1, Horizontal (Vertical Optional)					
Warm-up time (minutes)		<5									
Beam height from base plate (mm)		22									
Operating temperature (°C)		0~35									
Power supply (90-264VAC)		PSU-SR		PSU-III-FDA		PSU-SR		PSU-III-FDA			
Expected lifetime (hours)		10000									
Warranty		1 year									

Average power (mW)= Single pulse energy (μJ) Rep. rate(kHz)

Note: The laser head needs to be used on a heat sink with good heat dissipation.



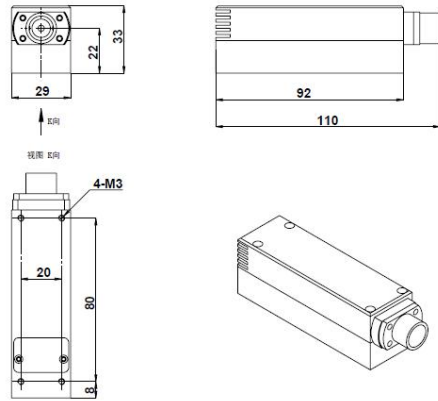
SPECIFICATIONS

Wavelength (nm)		1535±2				
Operating mode		Q-switched pulsed laser				
Max average power (mW)*		0.1-1	0.2-2	0.3-3	0.4-4mW	40mW
Single pulse energy (μJ)		100	200	300	400	40
Pulse duration (ns)		3-6				3-5
Peak power (kW)		25	50	70	80	10
Rep. rate (Hz)	EXT TRIG (External triggered)	1-10Hz				1000Hz
Energy stability (over 4 hours)		<5%				
Transverse mode		TEM ₀₀				
Beam divergence, full angle (mrad)		≤12				≤15
Warm-up time (minutes)		<5				
Beam height from base plate (mm)		22				
Operating temperature (°C)		0~35				
Power supply (90-264VAC)		PSU-SR/PSU-T-OEM				
Expected lifetime (hours)		>10 ⁷ times irradiate	>2×10 ⁷ times irradiate	>10 ⁷ times irradiate		
Warranty		1 year				

Average power (mW)= Single pulse energy (μJ) Rep. rate(kHz)

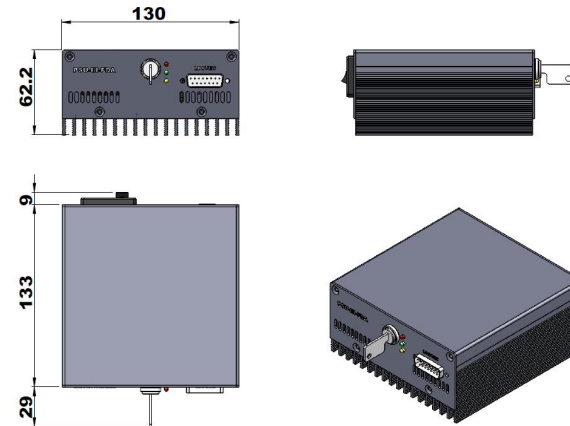
Note: The laser head needs to be used on a heat sink with good heat dissipation.

LASER HEAD



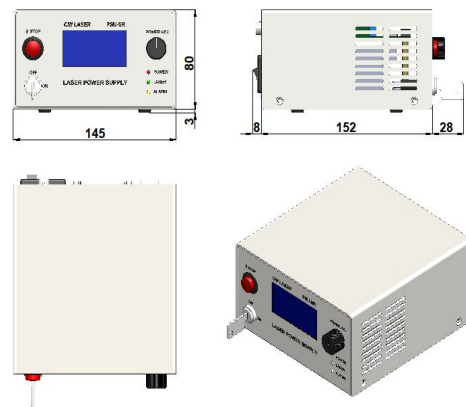
110(L)×29(W)×33(H) mm³, 0.34kg

POWER SUPPLY (PSU-III-FDA)



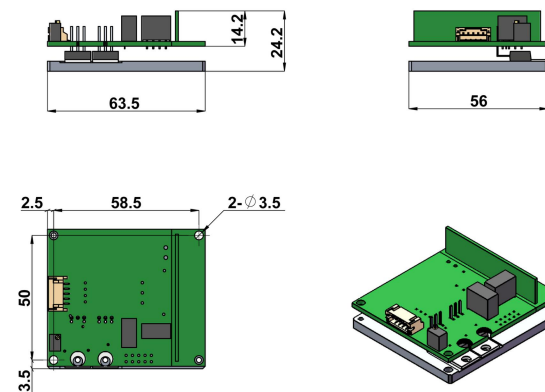
171 (L) ×130(W) ×62.2 (H) mm³, 1.2 kg

POWER SUPPLY (PSU-SR)



188(L)×145(W)×83(H) mm³, 1.2kg

POWER SUPPLY (PSU-T-OEM)



63.5(L)×56(W)×24.2(H) mm³, 0.07kg