



MRL-U-xxx-OEM series



DPSS LASER

All solid state laser is made features of ultra compact, long lifetime, high stability and reliability, which is used in scientific experiment, medical measurement, instrument, spectrum analysis, etc.



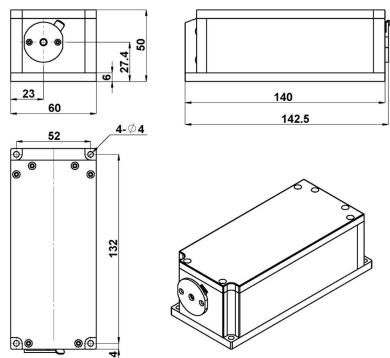
SPECIFICATIONS

Part number	MRL-U-671-OEM	
Wavelength (nm)	671±1	
Operating mode	CW	
Output power (mW)	200-300	300-500
Power stability (rms, over 4 hours)	<3%, <2%, <1%	<3%, <2%
Transverse mode	TEM ₀₀	
M ² factor	<1.2	
Beam diameter at the aperture (1/e ² , mm)	<1.0	
Beam divergence (mrad)	<1.5	
Polarization Ratio	>100:1, Vertical (Horizontal Optional)	
Warm-up time (minutes)	<5	
Pointing stability after warm-up (mrad)	<0.05	
Beam height from base plate (mm)	27.4	
Laser head consumption(W)	15 (typical) , <25 (40°C)	
Max. Laser Head Base plate Temp (°C)	50	
Operating Temperature (°C)	10-35	
Modulation optional	TTL on/off, 1Hz-1kHz, 1kHz-10kHz, 10kHz-30kHz; and Analog modulation optional	
Power supply (90-264VAC)	PSU-H-OEM /PSU-SR-DC12V (OEM)/ PSU-SR-OEM	
Expected lifetime (hours)	10000	
Warranty	1 year	

Note: The laser head needs to be used on a heat sink with good heat dissipation.

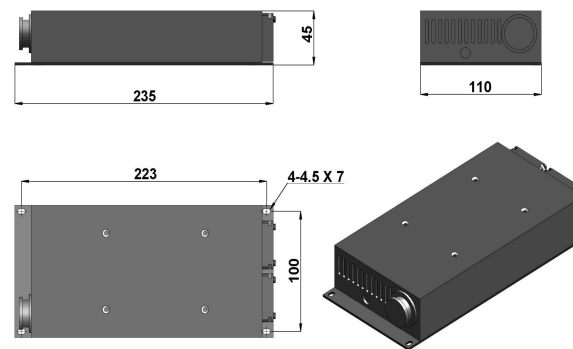


LASER HEAD



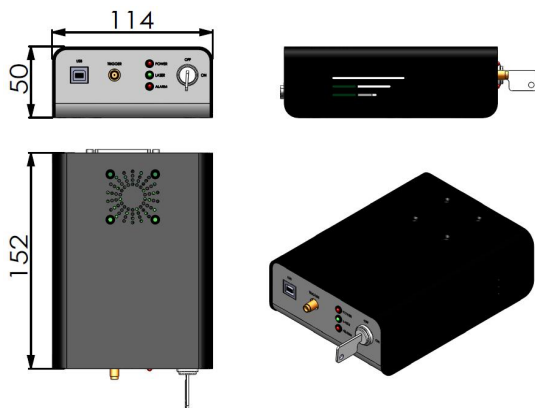
142.5 (L)×60(W)×50(H) mm³, 1.0 kg

POWER SUPPLY (PSU-H-OEM)



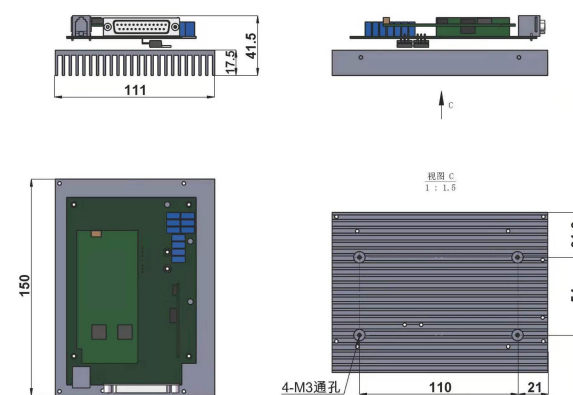
235(L)×110(W)×45(H) mm³, 1.1kg

POWER SUPPLY (PSU-SR-DC12V)



152(L)×114(W)×50(H) mm³, 0.5kg

POWER SUPPLY (PSU-SR-OEM)



150(L)×111(W)×41.5(H) mm³, 0.8kg