

MSII-F-637/532/1~100mW



Multi-line Fiber Coupled Laser System AT 637&532nm

It can provide various kinds of colors, such as red, orange, green, etc. They are widely used for fluorescence microscopy, flow cytometry, confocal microscopy and optogenetics.

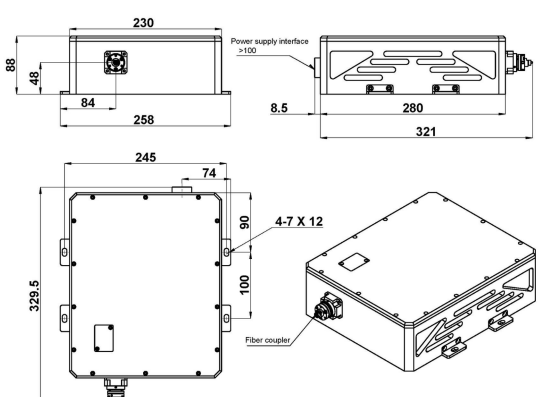
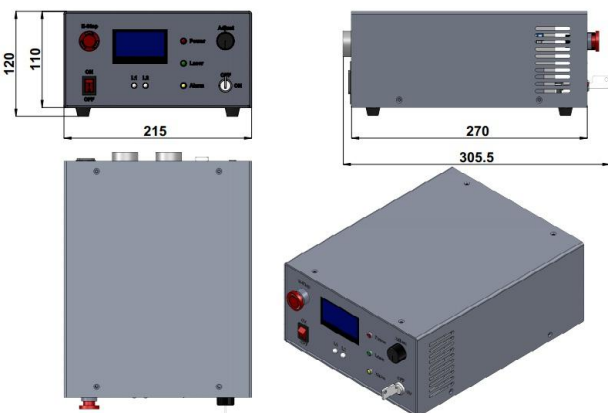


SPECIFICATIONS

| | |
|-------------------------------------|--|
| Wavelength (nm) | Red at 637nm, Green at 532nm |
| Operating mode | CW |
| Total output power after fiber (mW) | >1, 10,20, ..., 100 |
| Power stability (rms, over 4 hours) | <5%, <3%, <2% |
| Fiber Core Diameter(μm) | Single mode |
| Fiber Connector | FC |
| Fiber length (m) | 1 (Other lengths are available on request) |
| Warm-up time (minutes) | <10 |
| Operating temperature (°C) | 10~35 |
| Power supply (100-240VAC) | RGB-31 |
| Modulation optional | TTL on/off, 1Hz-1kHz, 1kHz-10kHz, 10kHz-30kHz; and Analog modulation optional |
| Expected lifetime (hours) | 10000 |
| Warranty | 1 year |



Note: Customized sizes are available to different wavelength combinations and output powers.

| MSII-F-637/532 | RGB-31 |
|--|--|
|  <p>329.5(L) × 258(W) × 88(H) mm³, 10.0kg</p> |  <p>305.5(L) × 215(W) × 120(H) mm³, 5.0kg</p> |