



MXL-V-xxx-SM Series

SM FIBER OUTPUT LASER

CNI has a long experience in the delivery of fiber coupled laser light sources providing high efficiency and long term stability. All laser types can be offered with appropriate fiber coupling systems. This type is specifically designed for single-mode fiber(include PM) coupling with high power stability and long term stability.



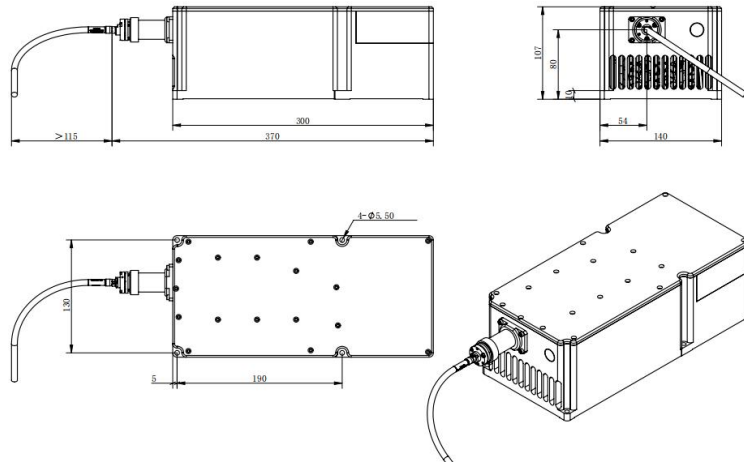
SPECIFICATIONS

Wavelength (nm)	532±1	671±1
Operating mode	CW	
Output power (mW)	1000-2000	100-2000
Power stability (rms, over 4 hours)	5%, <3%, <1%	
Transverse mode	TEM <sub>00</sub> (single mode fiber output)	
M <sup>2</sup> factor	<1.1	
Fiber numerical aperture	0.10~0.15	
Polarization ratio	No polarition (>50:1 after PM fiber)	
Fiber type	SM fiber (PM fiber optional)	
Fiber connector	FC	
Fiber jacket	PVC	
Fiber length	1m (Other lengths can be customized)	
Warm-up time (minutes)	<10	
Cooled method	Air Cooled (Water Cooled optional)	
Operating temperature (°C)	10~30	
Power supply (100-240VAC)	PSU-W-LED/ PSU-W-FDA	
Modulation option	TTL on/off, 1Hz-1KHz, 1KHz-10KHz, 10KHz-30KHz; and Analog modulation option	
Expected lifetime (hours)	10000	
Warranty	1 year	

Note: The laser head needs to be used on a heat sink with good heat dissipation.

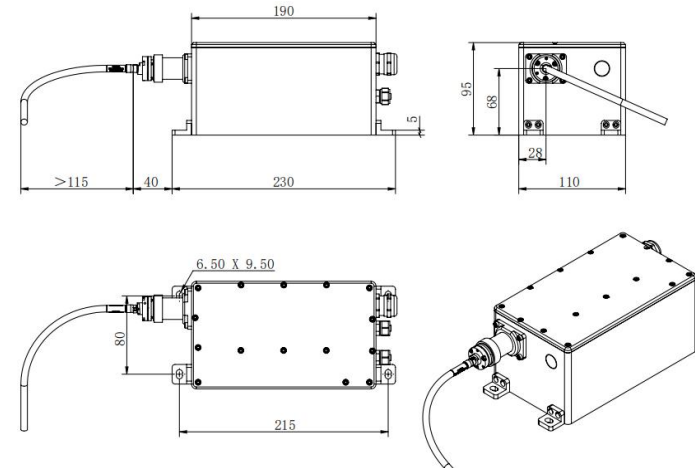


LASER HEAD (MXL-V-532/671-SM)



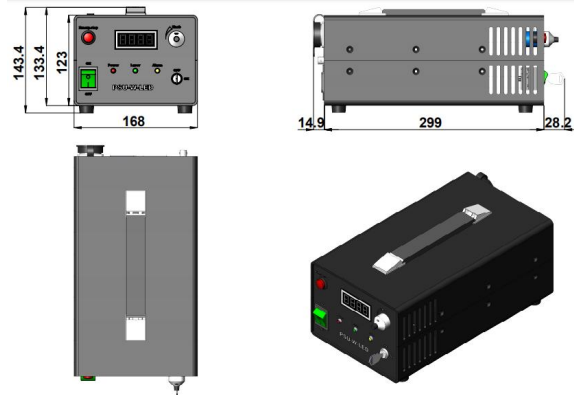
370 (L) × 140 (W) × 107 (H) mm<sup>3</sup>

LASER HEAD (MXL-V-532/671-Water-SM)



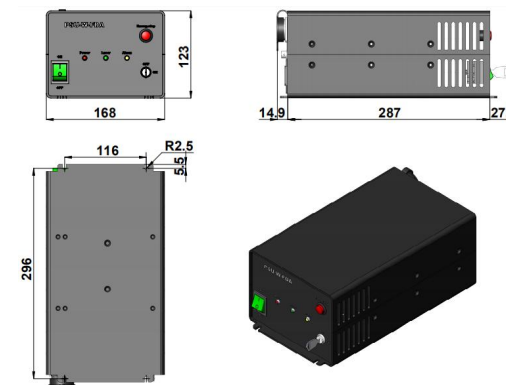
270 (L) × 110 (W) × 95 (H) mm<sup>3</sup>

POWER SUPPLY (PSU-W-LED)



342.1 (L) × 168 (W) × 143.4 (H) mm<sup>3</sup>, 4.2 kg

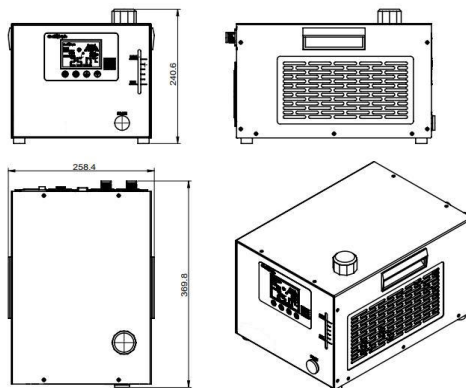
POWER SUPPLY (PSU-W-FDA)



329.1 (L) × 168 (W) × 123 (H) mm<sup>3</sup>, 4.1 kg



Water Chiller (WCH-580)



369.8 (L) × 258.4 (W) × 240.6 (H) mm<sup>3</sup>, 10.5 kg