

OEM-AD-455 70-90W

BLUE DIODE LASER AT 455nm

Blue diode laser 455nm is made features of ultra compact, long lifetime, low cost and easy operating. It's easy to be installed in customer's equipment.



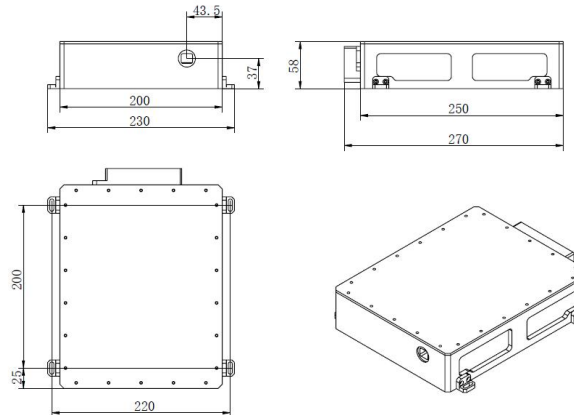
SPECIFICATIONS

Wavelength (nm)	455±5
Output power (W)	70~90
Operating mode	CW
Beam diameter at the aperture (mm)	7.5*6
Beam divergence, full angle (mrad)	~1.2
Power stability (rms, over 4 hours)	<1%
Warm-up time (minutes)	<5
Beam height from base plate (mm)	37
Operating temperature (°C)	25+/-3
Driver (24V 14.6A)	PSU-OEM-PNDT
Modulation option	TTL/ Analog 1Hz-30KHz, TTL on/ off
Expected lifetime (hours)	10000



NOTE: The laser needs to be used on a heat sink with good heat dissipation.

Dimensions of Laser head

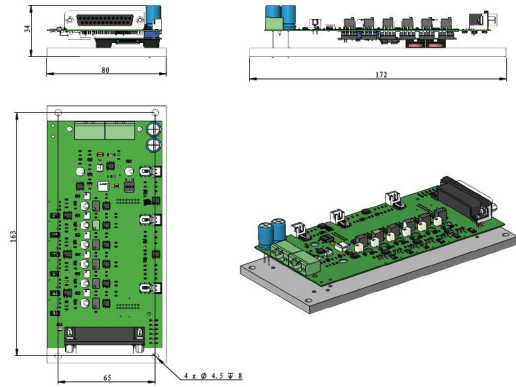


OEM-AD-455

270 (L)*230 (W)*58 (H) mm³

PSU-OEM-PNDT

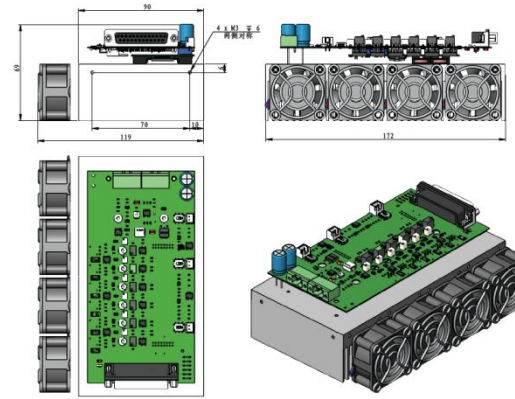
No heat dissipation



(Two PCS)

172 (L)*80 (W)*34 (H) mm³

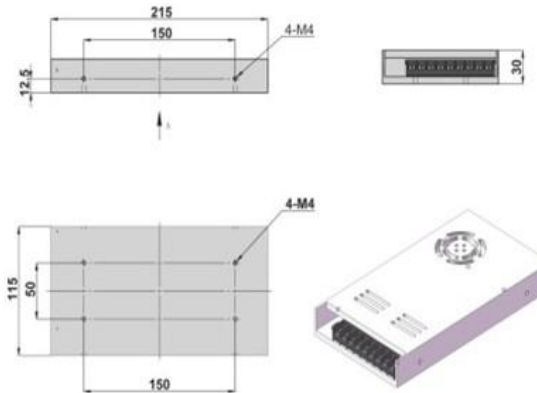
A heat dissipation



(Two PCS)

172 (L)*119 (W)*69 (H) mm³

Accessory (Power supply 100-240VAC)



24V14.6A (Three PCS)

215 (L)*115 (W)*30 (H) mm³