

OEM-F-447/1-3.5W

SPECIFICATIONS

**OEM BLUE DIODE LASER
AT 447nm**

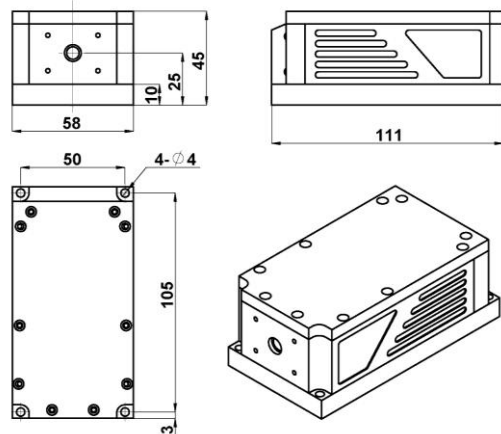
It features ultra compact design, long lifetime, cost-effectiveness and easy operation. They are widely used in scientific research, laser pointing, show and RGB mixed laser systems applications.



Wavelength (nm)	447±5	
Operating mode	CW	
Output power (mW)	>1000,1500, ...,2000	>2000, 2500, ...,3500
Power stability (rms, over 4 hours) at 25°C	<1%, <3%, <5%	
Transverse mode	Multimode	
Beam diameter at the aperture (1/e ² , mm)	~2.7×2.7	~3.5×3.5
Beam divergence, half angle (mrad)	0.7×0.1	
Warm-up time (minutes)	<5	
Beam height from base plate (mm)	25 (OEM-F-447) / 45(F-447-HS)	
Operating temperature (°C)	25+/-3 (OEM-F-447) / 10-35 (F-447-HS)	
Power supply	PSU-SD-OEM	
TTL / Analog modulation	TTL or Analog with 1Hz-1kHz 1kHz-10kHz, 10kHz-30kHz optional	
Expected lifetime (hours)	10000	
Warranty	1 year	

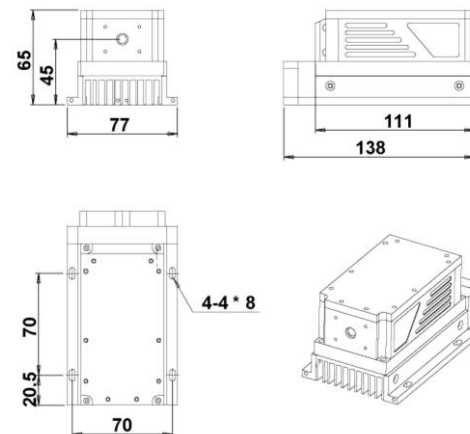


Dimensions of Laser head



OEM-F-447

111 (L) ×58(W) ×45 (H) mm³, 0.7kg



F-447-HS

138 (L) ×77(W) ×65 (H) mm³, 1.0kg

PSU-SD-OEM	Adapter for 1-2W (8VDC 5A)	Adapter for >2W (8VDC 7A)
<p data-bbox="376 850 640 874">90.5 (L) ×47(W) ×56(H) mm³, 0.3kg</p>	<p data-bbox="992 850 1256 874">115 (L) ×78(W) ×37(H) mm³, 0.3kg</p>	<p data-bbox="1621 850 1886 874">120 (L) ×60(W) ×37(H) mm³, 0.3kg</p>