



OEM-GD-462 16W

BLUE DIODE LASER
At 462nm

OEM diode blue laser at 462nm is made features of ultra compact, long lifetime, low cost and easy operating, which is widely used in measurement, spectrum analysis, laser lighting show, etc.

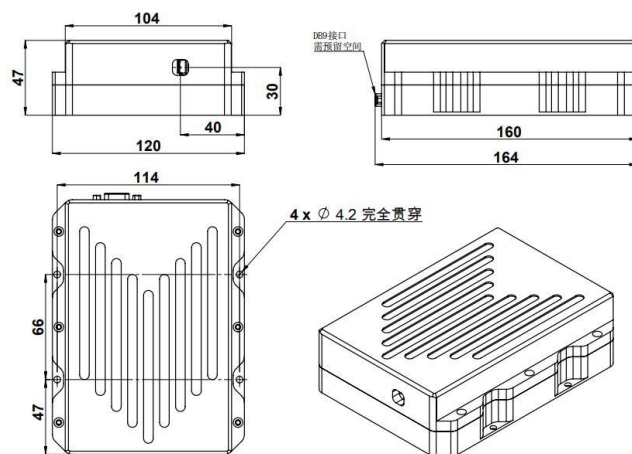


SPECIFICATIONS

Wavelength (nm)	462±5		
Output power (W)	16		
Beam diameter at the aperture (mm)	5×7		
Beam divergence, full angle (mrad)	~1.2		
Power stability (rms, over 4 hours)	<1%, <3%, <5%		
Polarization direction	Horizontal+ Vertical		
Warm-up time (minutes)	<5		
Beam height from base plate (mm)	30 (OEM-GD-462)	68.2(GD-462-HS)	93.5(GD-462-HS)
Operating temperature (°C)	25+/-3 (OEM-GD-462)	15-35(GD-462-HS)	
Power supply (90-264VAC or 12V30A)	PSU-PN7-OEM	PSU-PN7-OEM-H	
Modulation option	TTL/Analog 1Hz-5KHz, 1Hz-10KHz, 1Hz-100KHz, and TTL on/off		
Expected lifetime (hours)	10000		
Warranty	1 year		

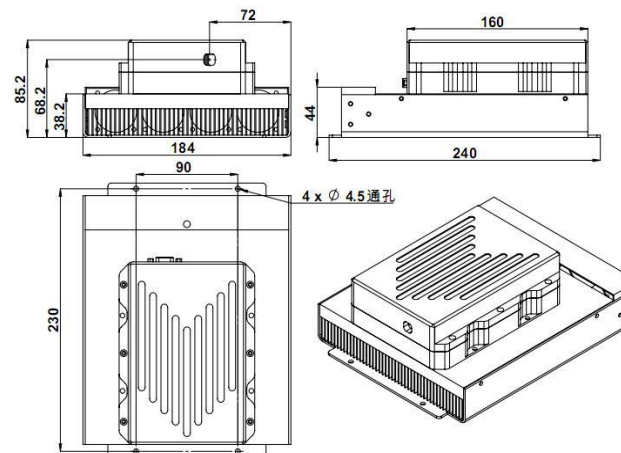


Dimensions of Laser head



OEM-GD-462
164(L)×120(W)×47(H)mm³

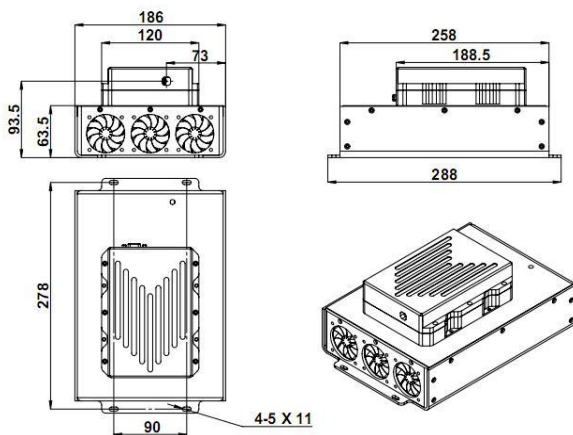
Dimensions of Laser head



GD-462-HS

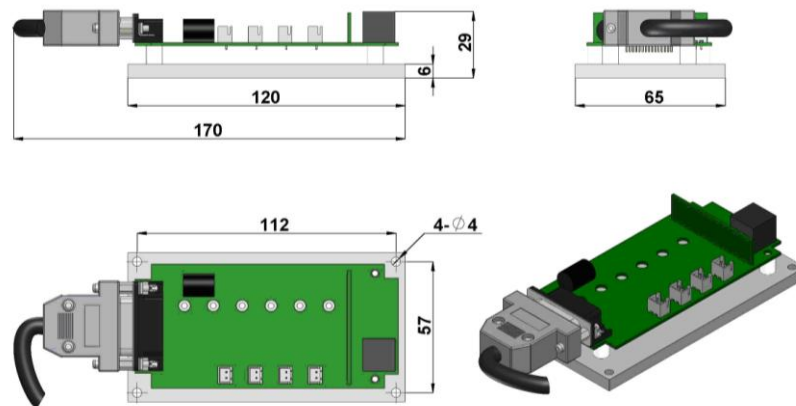


Dimensions of Laser head



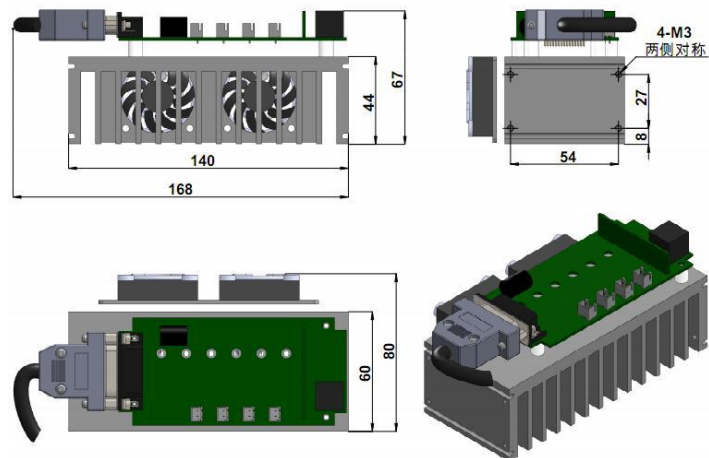
GD-462-HS-16W
288(L)×186(W)×110.5(H)mm³

Power Supply



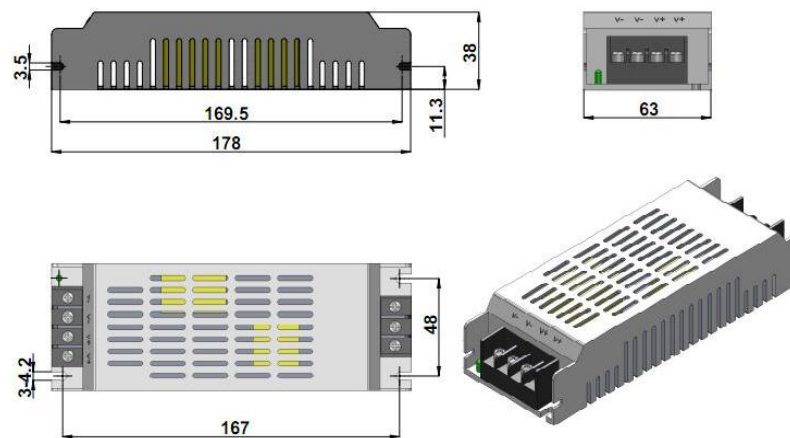
PSU-PN7-OEM
120(L)×65(W)×29(H)mm³

Power Supply



PSU-PN7-OEM
140(L)×80(W)×67(H)mm³

Adapter



12V20A