

OEM-I-1319 /1~1000mW



**LD PUMPED ALL-SOLID-STATE
INFRARED LASER AT 1319 nm**

All solid state infrared laser at 1342nm is made features of ultra compact, long lifetime and easy operating, which is used in scientific experiment, optical instrument, optical sensor, measurement, communication, spectrum analysis, etc.

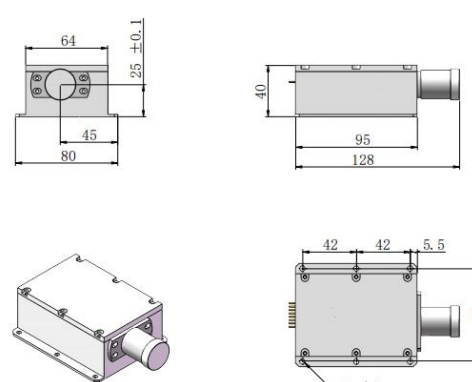
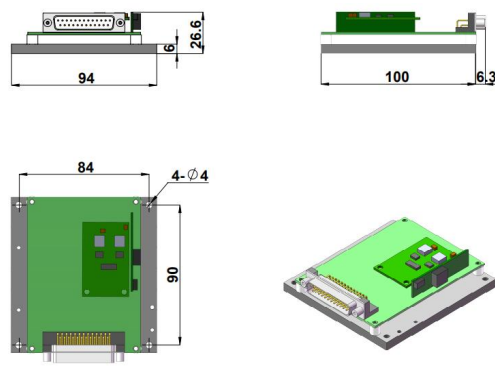
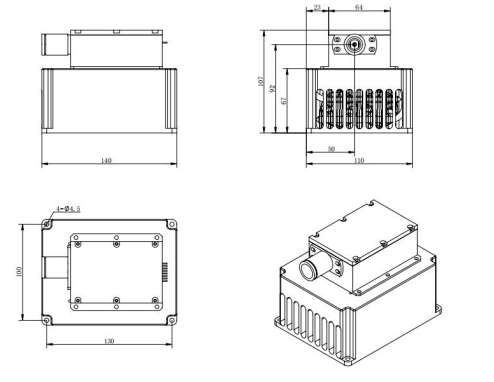
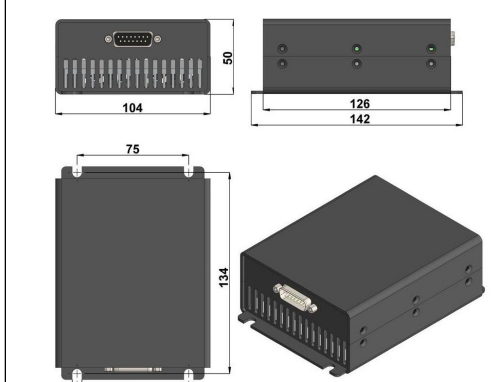


SPECIFICATIONS

Wavelength (nm)	1319±1	
Operating mode	CW	
Output power (mW)	>1, 100, ..., 1000	
Power stability (rms, over 4 hours) at 25°C	<5%, <3%	
Transverse mode	Near TEM ₀₀	
Beam divergence, full angle (mrad)	~3.0	
Beam diameter at the aperture (mm)	~3.0	
Warm-up time (minutes)	<10	
Beam height from base plate (mm)	25 (OEM-I-1319)	92 (I-1319-HS)
Driver (12VDC 25A, power supply optional)	PSU-OEM-I	PSU-I-HS
TTL / Analog modulation	TTL or Analog with 1Hz-1kHz 1kHz-10kHz, 10kHz-30kHz optional	
Expected lifetime (hours)	10000	
Warranty period	1 year	



Note: The laser needs to be used on a heat sink with good heat dissipation.

OEM-I-1319		I-1319-HS	
Laser head	PSU-OEM-I (Driver)	Laser head	PSU-I-HS (Driver)
 <p>128 (L) × 80 (W) × 40 (H) mm³, 0.7 kg</p>	 <p>106.3(L) × 94 (W) × 26.6 (H) mm³, 0.3 kg</p>	 <p>140 (L) × 110 (W) × 107 (H) mm³, 2.7 kg</p>	 <p>142 (L) × 104 (W) × 50 (H) mm³, 0.8 kg</p>