

OEM-XD-447/17-28W

**OEM BLUE DIODE LASER
AT 447nm**

OEM diode laser 447 nm blue laser is made features of ultra compact, long lifetime, low cost and easy operating. It's easy to be installed in customer's equipment.

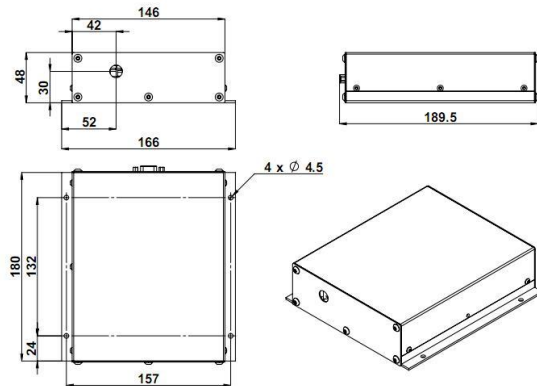


SPECIFICATIONS

Wavelength (nm)	447±10	
Output power (W)	>17, ... ,>28,	
Operating mode	CW	
Power stability (rms, over 4 hours) at 25℃	<1%, <3%, <5%	
Beam diameter at the aperture (mm)	~7.5×7	
Beam divergence, full angle (mrad)	<1.8×0.8	
Polarization direction	Horizontal+ Vertical	
Warm-up time (minutes)	<5	
Beam height from base plate (mm)	30 (OEM-XD-447)	93.5 (XD-447-HS)
Operating temperature (℃)	25+/-3 (OEM-XD-447)	10-35 (XD-447-HS)
Power supply	PSU-PN7-OEM / PSU-PN7-OEM-H/ PSU-6R-OEM-H	
Expected lifetime (hours)	10000	
Modulation option	TTL/Analog 1Hz-5KHz, 1Hz-10KHz, 1Hz-100KHz, and TTL on/off	
Warranty	1 year	

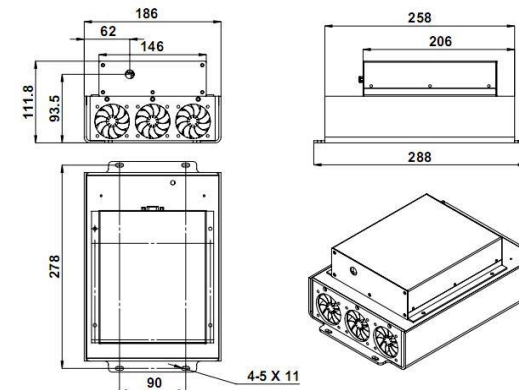


Dimensions of Laser head



OEM-XD-447

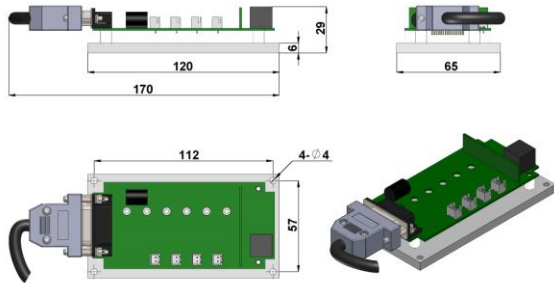
189.5(L)×166(W) ×48(H) mm³, 2.7kg



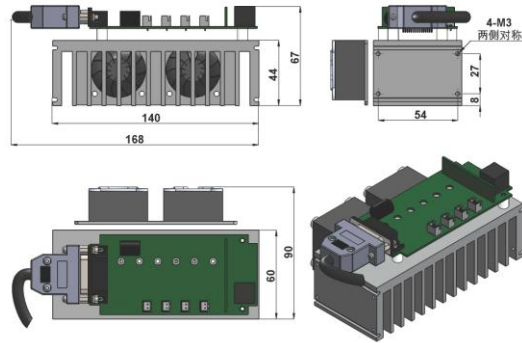
XD-447-HS

288(L)×186(W) ×111.8(H) mm³, 5.4kg

Power Supply (17-23W)

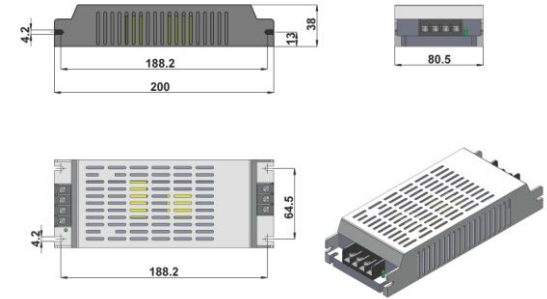


PSU-PN7-OEM
120(L)×65(W)×29(H) mm³, 0.6kg



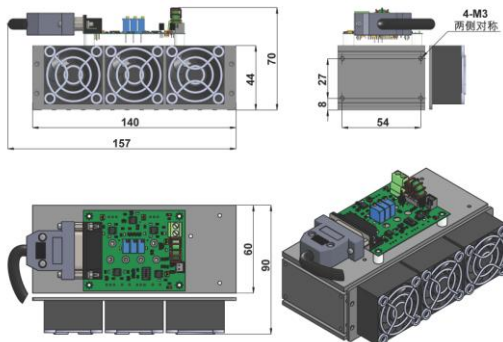
PSU-PN7-OEM-H
140(L)×90(W)×67(H) mm³, 0.6kg

Adapter (17-23W)



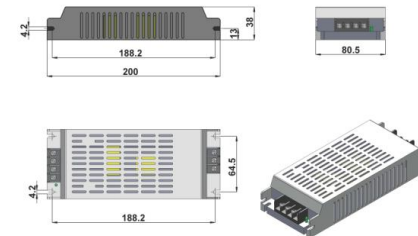
24V15A
200(L)×80.5(W)×38(H) mm³, 0.6 kg

Power Supply (24-28W)



PSU-6R-OEM-H
140(L)×90(W)×70(H) mm³, 0.6kg

Adapter (24-28W)



24V15A
200(L)×80.5(W)×38(H) mm³, 0.6 kg