

OEM-XD-520/7-8W

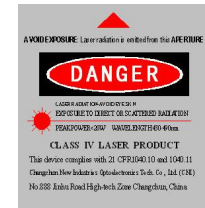
SPECIFICATIONS

OEM BLUE DIODE LASER
AT 520NM

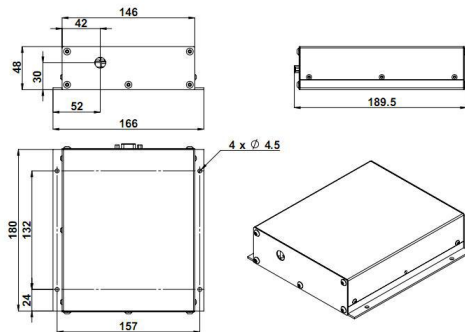
OEM diode laser 520 nm green laser is made features of ultra compact, long lifetime, low cost and easy operating. It's easy to be installed in customer's equipment.



Wavelength (nm)	520±5	
Operating mode	CW	
Output power (W)	>7,..., 8	
Power stability (rms, over 4 hours) at 25℃	<1%, <3%, <5%	
Beam divergence, full angle (mrad)	<1.5	
Beam diameter at the aperture (mm)	~7.5×5	
Polarization direction	Horizontal+ Vertical	
Warm-up time (minutes)	<5	
Beam height from base plate (mm)	30 (OEM-XD-520)	93.5 (XD-520-HS)
Operating temperature (℃)	25+/-3 (OEM-XD-520)	10-35 (XD-520-HS)
Power supply(100-240VAC)	PSU-PN7-OEM/ PSU-PN7-OEM-H	
Modulation option	TTL/Analog 1Hz-5KHz, 1Hz-10KHz, 1Hz-100KHz, and TTL on/off	
Expected lifetime (hours)	10000	
Warranty	1 year	

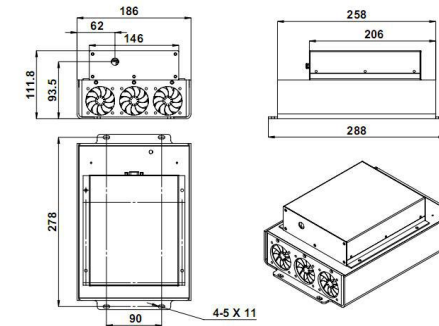


Dimensions of Laser head



OEM-XD-520

189.5(L)×166(W)×48(H) mm³, 2.7kg



XD-520-HS

288(L)×186(W)×111.8(H) mm³, 5.4kg

Supply power		Adapter
<p>PSU-PN7-OEM 120(L)×65(W)×29(H) mm³, 0.6kg</p>	<p>PSU-PN7-OEM-H 140(L)×80(W)×67(H) mm³, 0.6kg</p>	<p>24V15A 195(L)×86(W) ×36.5(H) mm³,0.6 kg</p>