



OEM-XD-635 /7-11W

**RED DIODE LASER
At 635nm**

OEM diode red laser at 635nm is made features of ultra compact, long lifetime, low cost and easy operating, which is widely used in measurement, spectrum analysis, laser lighting show, etc.

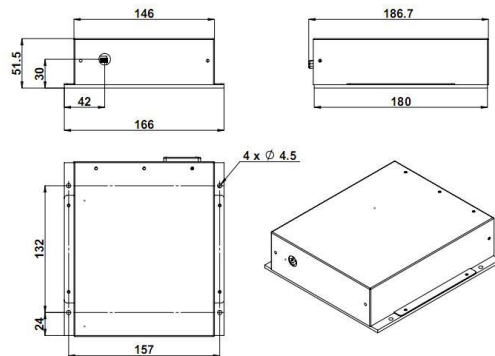


SPECIFICATIONS

| | | |
|-------------------------------------|---|-------------------|
| Wavelength (nm) | 635±5 | |
| Operating mode | CW | |
| Output power (W) | 7~11, | |
| Power stability (rms, over 4 hours) | <1%, <3%, <5% | |
| Beam diameter at the aperture (mm) | ~8.5×7.5 | |
| Beam divergence, full angle (mrad) | <1.2 | |
| Polarization direction | Horizontal+ Vertical | |
| Warm-up time (minutes) | <5 | |
| Beam height from base plate (mm) | 30 (OEM-XD-635) | 68.2 (XD-635-HS) |
| Operating temperature (°C) | 25+/-3 (OEM-XD-635) | 10-35 (XD-635-HS) |
| Power supply (100-240VAC) | PSU-PN7-OEM/ PSU-PN7-OEM-H | |
| Modulation option | TTL/Analog 1Hz-5KHz, 1Hz-10KHz, 1Hz-30KHz, and TTL on/off | |
| Expected lifetime (hours) | 10000 | |
| Warranty | 1 Year | |

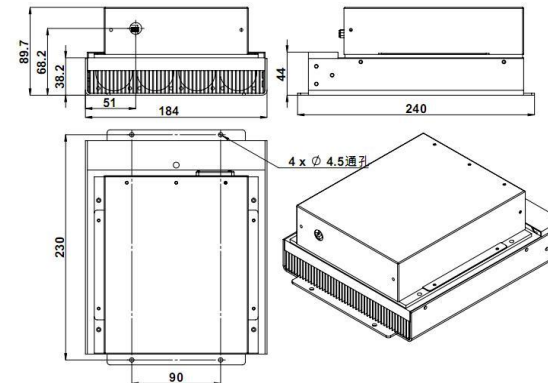


Dimensions of Laser head



OEM-XD-635

180(L)×166(W) ×51.5(H) mm³, 2.2 kg



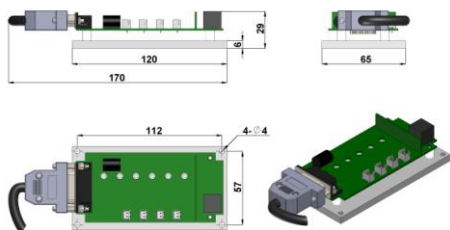
XD-635-HS

240(L)×184(W) ×89.7(H) mm³, 4.1 kg



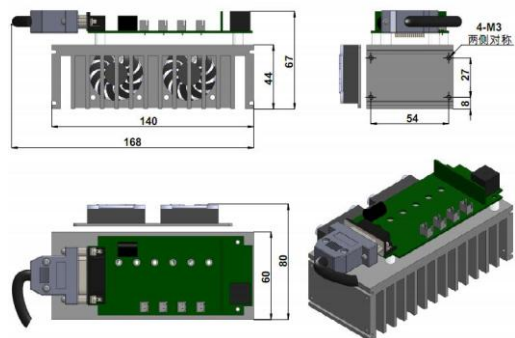
Supply power

Adapter



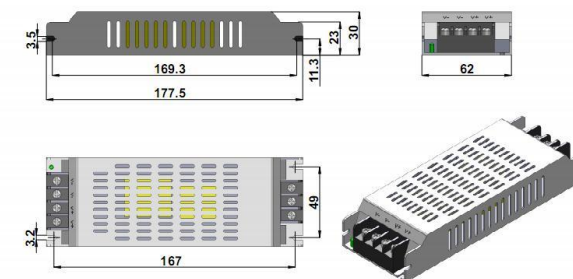
PSU-PN7-OEM

120(L)×65(W) ×29(H) mm³, 0.3 kg



PSU-PN7-OEM-H

140(L)×80(W) ×67(H) mm³, 0.6 kg



12V15A

177.5(L)×62(W) ×30(H) mm³, 0.5kg