

PGL-D8-635/637/640



Diode red laser is made features of ultra compact, long lifetime, low cost and easy operating, which made it be used widely in measurement, spectrum analysis and laser show, etc.

SYSTEM SPECIFICATIONS*

Wavelength	nm	635	637	640
Wavelength tolerance	nm	±5	±5	±5
Output power	mW	1-50		
Operating mode		CW		
Transverse mode		Near TEM ₀₀		
Beam diameter at the aperture(1/e ²)	mm	~3.5		
Beam divergence, full angle	mrad	<1		
Expected lifetime	hours	10,000		
Warranty	months	6		

ELECTRICAL SPECIFICATIONS

Operating voltage(external PCB1)	3VDC(TTL10kHz)
Operating voltage(external PCB2)	5VDC(TTL30kHz or Analog 0-3V,0-5V)
Operating voltage(external PCB3)	5-12VDC(TTL30kHz and Analog 0-3V,0-5V)
Connection	Cable with flying leads

ENVIRONMENTAL CONDITIONS

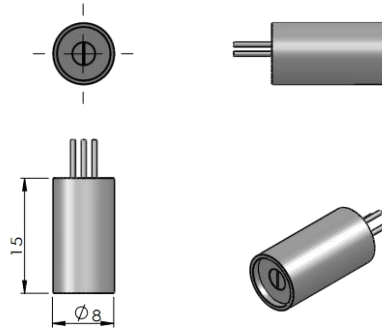
Operating temperature	0°C to 40°C
Storage temperature	-20°C to 80°C
Humidity	< 90%, non-condensing
Dissipated heat	< 0.9W

MECHANICAL SPECIFICATIONS

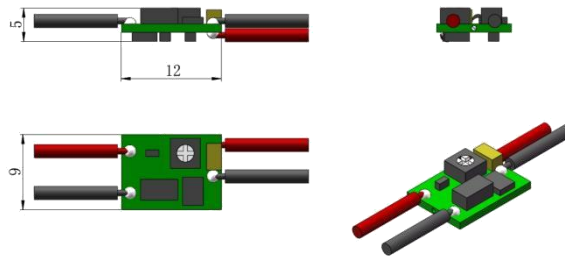
Laser head diameter Φ	mm	8
Length	mm	15
Material	Aluminum	
Shell polarity	The housing has non-polarity	

*All testing data under the conditions of temperature 25°C.

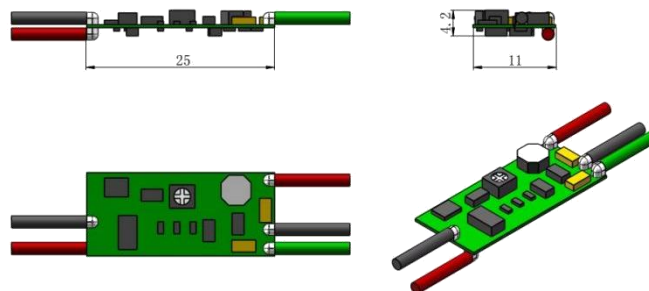
Dimensions of laser($\Phi 8 \times 15\text{mm}^2$)



Dimensions of PCB1(*small size*, $9 \times 12\text{mm}^2$, DC3V, TTL)



Dimensions of PCB2($11 \times 25\text{mm}^2$, DC5V, TTL or Analog)



Dimensions of PCB3($20 \times 30\text{mm}^2$, DC5-12V, TTL and Analog)

