

## PGL-FC Series



PGL-FC series laser is made features of wide temperature operating (no TEC), high reliability, and low cost, which is widely used in orientation, alignment and measurement, etc.

### SYSTEM SPECIFICATIONS\*

Wavelength (nm)	Power (mW)	Fiber core (μm)	connector	Power stability (rms)	Expected lifetime (Hours)	Warranty (months)
375±10	1-30	400	FC/SMA905	<5% @25°C	10,000	6
405±10	1-100					
450±10	1-100					
520±10	1-100					
532±1	1-50					
589±1	1-50					
637±10	1-100					
658±10	1-100					
785±10	1-100					
808±5	1-100					
830±10	1-100					
850±10	1-100					
940±10	1-100					
980±10	1-100					

### ELECTRICAL SPECIFICATIONS

Operating voltage(internal PCB)	5VDC(TTL or Analog0-3V,0-5V)
Connection	Cable with flying leads

### ENVIRONMENTAL CONDITIONS

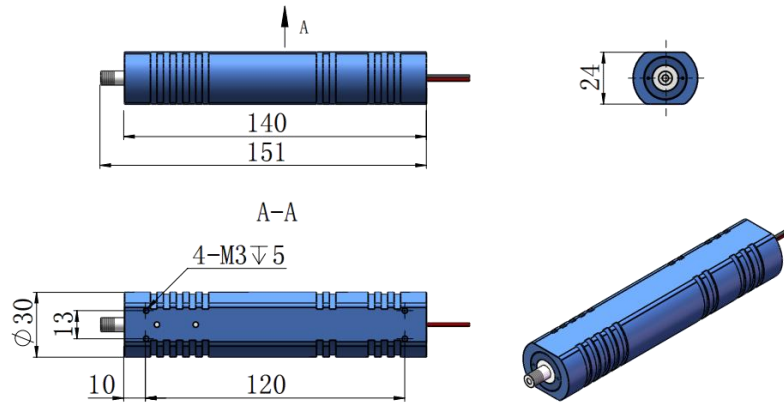
Operating temperature	°C	10°C to 35°C
Storage temperature	°C	-10°C to 70°C
Humidity	%	<90 %, non-condensing

### MECHANICAL SPECIFICATIONS

Dimensions of laser head	mm	Φ56×250mm <sup>2</sup> (PGL-FC-375/589)
Dimensions of laser head	mm	Φ30×151mm <sup>2</sup> (PGL-FC)
Material		Aluminum and copper

\*All testing data is under the condition of temperature 25 °C

Dimensions of laser PGL-FC( $\Phi 30 \times 151 \text{mm}^2$ )



Dimensions of laser PGL-FC-375/589( $\Phi 56 \times 250 \text{mm}^2$ )

