

PGL-H-1060



PGL-H high power infrared laser module at 1060nm is made features of small size, high output power, long lifetime, which made it be used widely in collimation, laser medical treatment, scientific experiment, optical instrument and so on.

SYSTEM SPECIFICATIONS*

Wavelength	nm	1060
Wavelengthtolerance	nm	±10
Outputpower	mW	1-1500
Operating mode		CW
Transverse mode		Multimode
Beam diameter at the aperture(1/e ²)	mm	~5×8
Beam divergence, full angle	mrad	<5
Working time	seconds	30
Expected lifetime	hours	10,000
Warranty	months	6

Worked with TEC for long time operation.

ELECTRICAL SPECIFICATIONS

Operating voltage(external PCB1)	3VDC
Operating voltage(external PCB2)	5VDC(TTL10kHz or Analog0-5V)
Connection	Cable with flying leads

ENVIRONMENTAL CONDITIONS

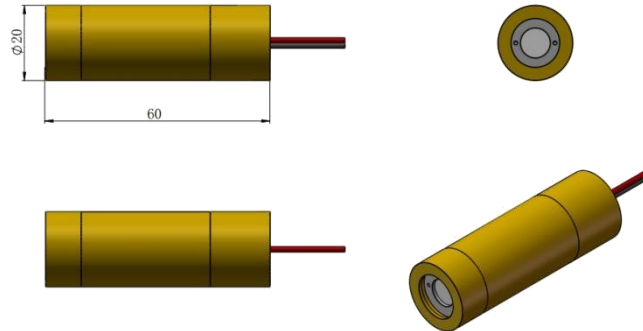
Operating temperature	0°C to 40°C
Storage temperature	-20°C to 80°C
Humidity	<90 %, non-condensing
Dissipated heat	<4.5W

MECHANICAL SPECIFICATIONS

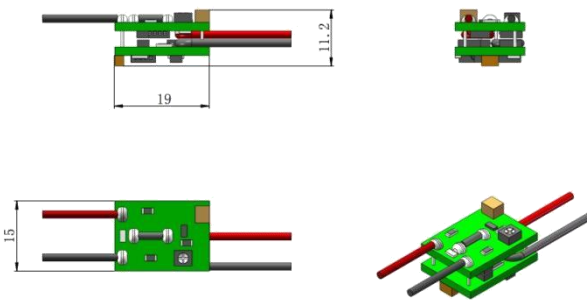
Laser head diameter Φ	mm	20
Length	mm	60
Material		Copper
Shell polarity		The housing has non-polarity.

*All testing data under the conditions of temperature 25°C.

Dimensions of laser($\Phi 20 \times 60 \text{mm}^2$)



Dimensions of PCB1($11.2 \times 15 \times 19 \text{mm}^3$, 3VDC)



Dimensions of PCB2($11.2 \times 15 \times 19 \text{mm}^3$, 5VDC, TTL10kHz or Analog0-5V)

