



PGL-H-1064/1~1000mW

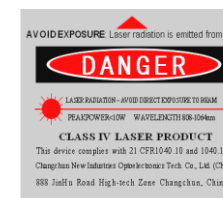
HIGH POWER INFRARED LASER MODULE AT 1064nm

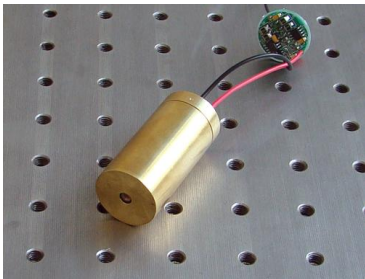
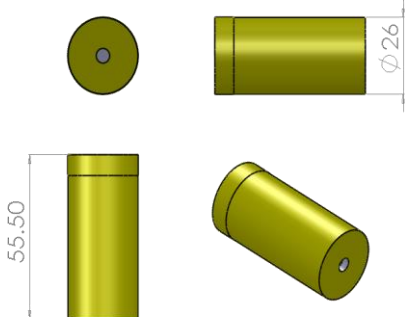
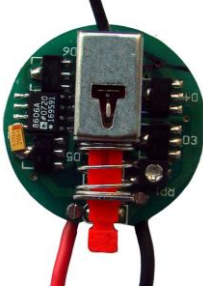
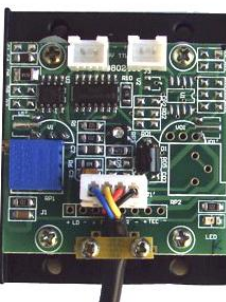
PGL-H high power infrared laser module at 1064nm is made features of small size, high output power, long lifetime, which made it widely used in collimation, laser medical treatment, scientific experiment, optical instrument and so on.



SPECIFICATIONS

| | | |
|---|--|-----------|
| Wavelength (nm) | 1064±1 | |
| Operating mode | CW | |
| Output power (mW) | >1, 10, 15, ... , 1000 | |
| Transverse mode | TEM ₀₀ | |
| Beam diameter at the aperture (1/e ² , mm) | ~0.3 | |
| Beam divergence, full angle (mrad) | <15 | |
| Operating temperature (°C) | 15~30 | |
| Power supply | DC 3V PCB | DC 5V PCB |
| TTL modulation | Optional, 1Hz-1KHz, 1KHz-10KHz, or higher on request | |
| Expected lifetime (hours) | 10000 | |
| Warranty | 6 months | |



| PGL-H-1064 | Dimensions | 3VPCB | 5VPCB |
|---|--|---|---|
|  <p>Φ26×55.5(L) mm², 0.3 kg</p> |  |  <p>Φ26×15(H) mm³</p> |  <p>56×47×30(H) mm³</p> |