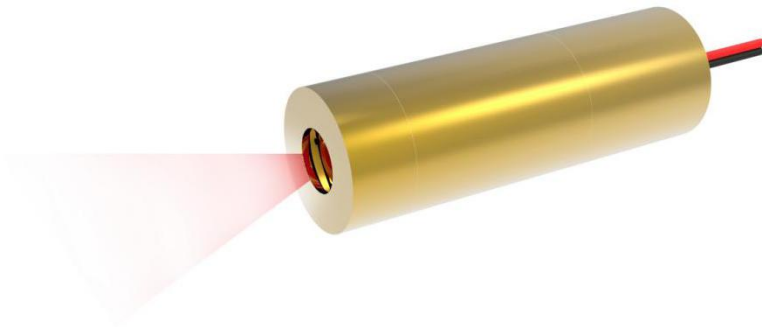


PGL-LH Series Diode Lasers



PGL-LH Series Diode Lasers

The laser module made features of high output power, ultra compact, long lifetime and easy operation etc.

The user can choose from red, green, or blue wavelengths depending on the application and material to be inspected.

PGL-LH Series Diode Lasers with its industrial-suited design and stable performance works perfectly as an integrated module in collimation, laser medical treatment, scientific experiment, optical instrument, etc.

FEATURES

- Output power up to 1000mW
- Long lifetime
- Easy operating

APPLICATIONS

- Collimation
- Scientific experiment
- Optical instrument



SYSTEM SPECIFICATIONS*

Wavelength	nm	450	520	638	808
Wavelength tolerance	nm	±5	±5	±5	±5
Output power	mW	100-1000	100-500	100-500	100-1000
Line width	@1m	< 1.0mm			
Line angles		7°、10°、15°、30°、45°、60°、75°、90°			
Laser operation mode		CW			
Expected lifetime	hours	10,000			

ELECTRICAL SPECIFICATIONS

Operating voltage(PCB I)		DC 6V	DC 6V	DC 3V	DC 3V
Operating voltage(PCB II)		DC 7V	DC 7V	DC 5V	DC 5V
Connection		Cable with flying leads			

TTL MODULATION(PCB II)

Maximum frequency		up to 30kHz			
Signaling levels		VIL_max<+0.9V	VIH_min>+2.2V	VIH_max<+7V	

ANALOG MODULATION(PCB II)

Active range(optional)		DC 0-3V	DC 0-5V		
------------------------	--	---------	---------	--	--

ENVIRONMENTAL CONDITIONS

Operating temperature	°C	-10°C to +45°C			
Storage temperature	°C	-20°C to +80°C			
Humidity	%	< 90 %, non-condensing			
Dissipated heat	W	< 1 W			

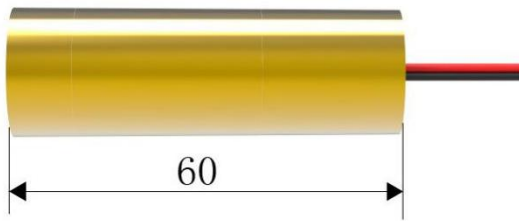
*All testing data under the conditions of temperature 25°C.



MECHANICAL SPECIFICATIONS

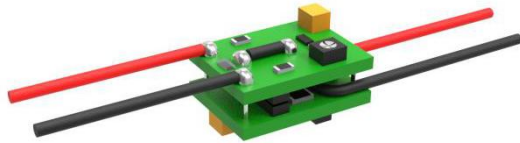
Weight	g	113 g
Length	mm	60 mm
Diameter head \varnothing	mm	20 mm
Material		Copper

DIMENSIONS OF LASER MODULE (mm):

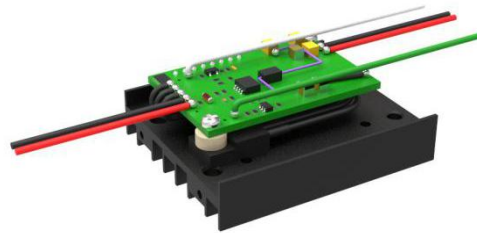


DIAGRAMMATIC DRAWING OF PCB

PCB I



PCB II



Accessories

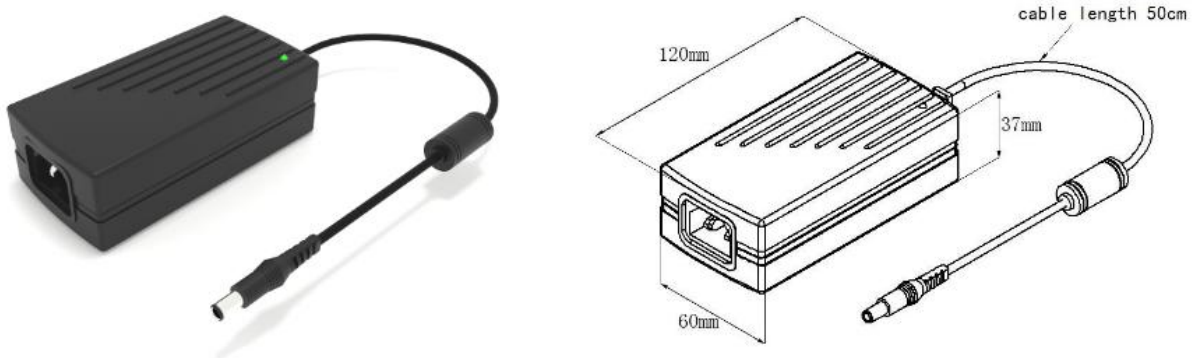
CONNECTOR

Bayonet nut connector	Minimize distractions
Headset connector	Easy connect and disconnect

POWER ADAPTER**

Input	85-264V AC 47/63Hz
Output	DC 5V 5A
Adapter size	mm 120 x 60 x 37mm
Adapter cable length	m 0.5m
Cable connector	Easy connect/disconnect jack

Dimensions of power adapter (mm):



The Universal Diode Laser Module Power Supply with CE-marked provides a well-regulated 5 VDC. This auto ranging power module can be connected to any 85-264 VAC 47/63 Hz supply. There is an IEC 60320 input socket and a 0.5m output cable terminated with an easy connect/disconnect jack socket. The Headset connector which could also be found in accessories is compatible with the power supply jack.

**CNI provides other types of power adapters to meet customer demand, please contact sales for details.