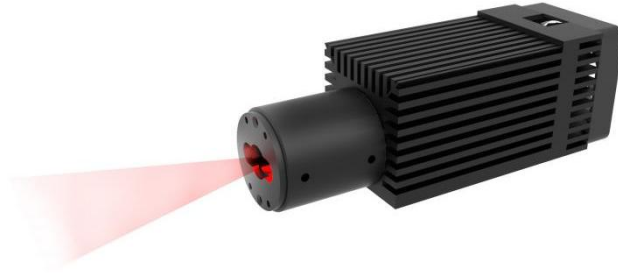


## ***PGL-V-H Series Laser***



### ***PGL-V-H Series Laser***

The laser built-in cooling fan, no additional cooling is required. It is working at AC 100-110V wide voltage supply and made features of uniform power density, high straightness and good stability line beam.

The user can choose from IR, red, green, blue wavelengths depending on the application and material to be inspected.

PGL-V-H Series Laser with its industrial-suited design and stable performance reliability works perfectly in collimation, laser medical treatment, scientific experiment, optical instrument, etc.

### ***FEATURES***

- Air cooling
- Wide voltage supply(100-240VAC)
- Optical output power up to 2W
- Wavelength from 405-1550nm
- Long lifetime
- Easy operating

### ***APPLICATIONS***

- Collimation
- Laser medical treatment
- Scientific experiment
- Optical instrument

## SYSTEM SPECIFICATION\*

Wavelength	nm	<b>450</b>	<b>520</b>	<b>635</b>	<b>808</b>
Wavelength tolerance	nm (typical)	<b>±5</b>	<b>±5</b>	<b>±10</b>	<b>±10</b>
Output power	mW	<b>1-2,000</b>	<b>1-1,000</b>	<b>1-800</b>	<b>1-2,000</b>
Line width	<250mm	40-200μm			
Line width	@1m	<1.0mm			
Line angle		7°, 10°, 15°, 30°, 45°, 50°, 60°, 75°, 90°			
Laser operation mode		CW			
Expected lifetime	hours	10,000			

*Other wavelength between 405-1550nm is optional*

## ELECTRICAL SPECIFICATIONS

Operating voltage	AC 100-240V
Connection	DB9 serial port

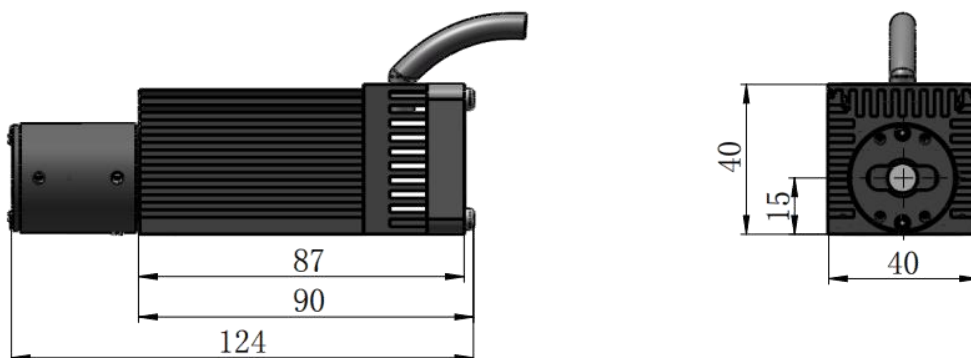
## ENVIRONMENTAL CONDITIONS

Operating temperature	°C	- 10°C to 50°C
Storage temperature	°C	-20 °C to +80 °C
Humidity	%	< 90 %, non-condensing

## MECHANICAL SPECIFICATIONS

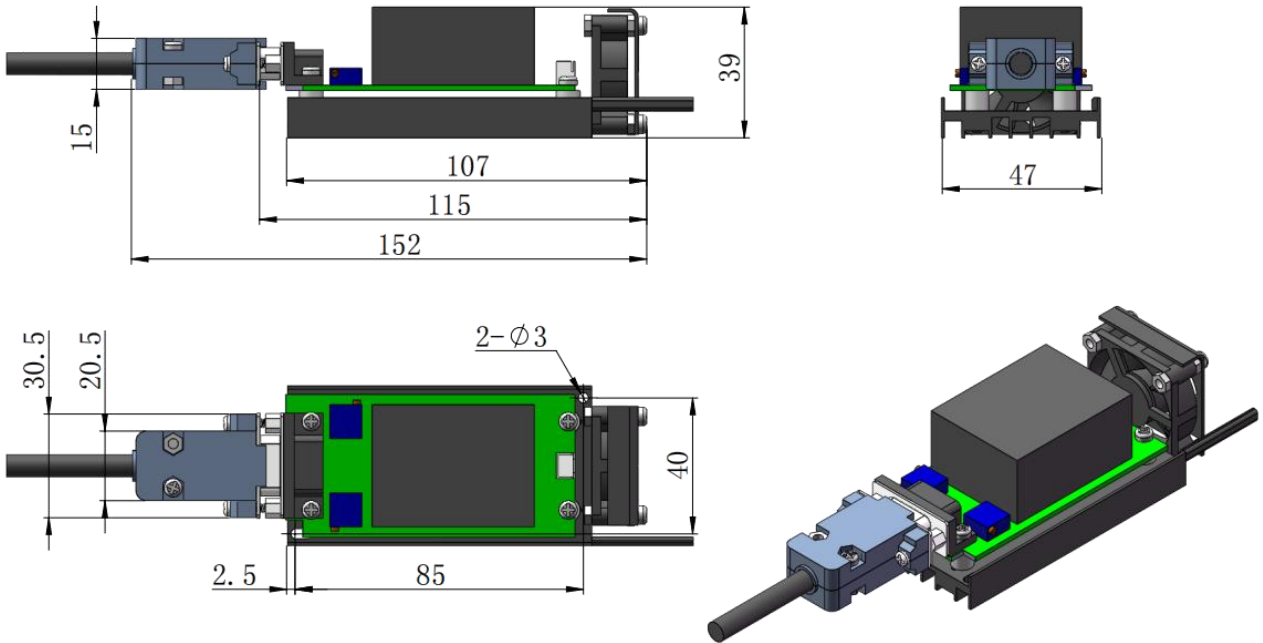
Weight	g	300g
Dimensions	mm	124 × 40 × 40mm <sup>3</sup>
Material		Aluminum

Dimensions of laser (mm):

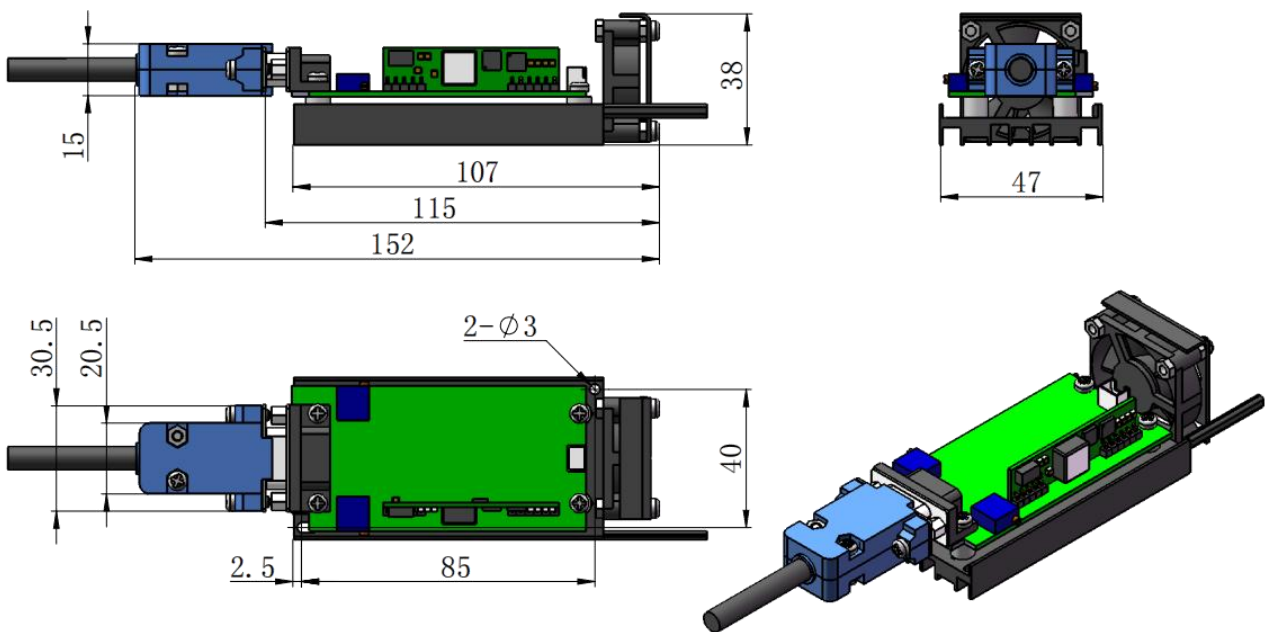


\*All testing data under the conditions of temperature 25 ° C.

Dimensions of PSU-V-OEM power supply  
(107×47×39mm<sup>3</sup>, 100-240VAC, TTL 30kHz and Analog 0-5V)



Dimensions of PSU-I-OEM power supply  
(107×47×38mm<sup>3</sup>, 5/12VDC, TTL 30kHz and Analog 0-5V)



Dimensions of PSU-V-OEM and PSU-I-OEM power supply with dust cover(110×70×47mm<sup>3</sup>)

