

PGL-VI-450/1~50mW

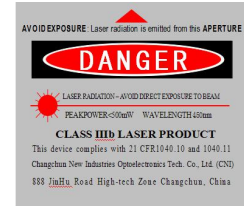
**BLUE LASER MODULE
AT 450 nm WITH
ADJUSTABLE FOCUS**


PGL-VI-450 is a new developed portable laser with adjustable focus and divergence, which is made features of small size, high output power, long lifetime, and special safety design to ensure security.



SPECIFICATIONS

Wavelength (nm)	450±5
Operating mode	CW
Output power (mW)	>1, 10, 20, ..., 50
Transverse mode	Near TEM ₀₀
Beam diameter at the aperture (1/e ² , mm)	~3.5
Beam divergence, full angle (mrad)	<1.0
Operating temperature (°C)	15~30
Power supply	DC 6V PCB
Expected lifetime (hours)	10000
Warranty period	6 months
Remark	Adjustable focus is available.
Note: The shell has non-polarity.	



PGL-VI-450	Dimensions
 <p>Φ12×50(L) mm²</p>	