

PGL-XII-E -532/1~50mW

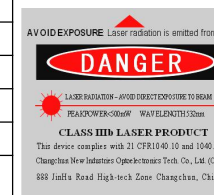
LD PUMPED ALL-SOLID-STATE GREEN LASER

All solid state 532 green laser is made features of ultra compact, long lifetime, low cost and high stability, which is widely used in collimation, laser medical treatment, scientific experiment, optical instrument, etc.



SPECIFICATIONS

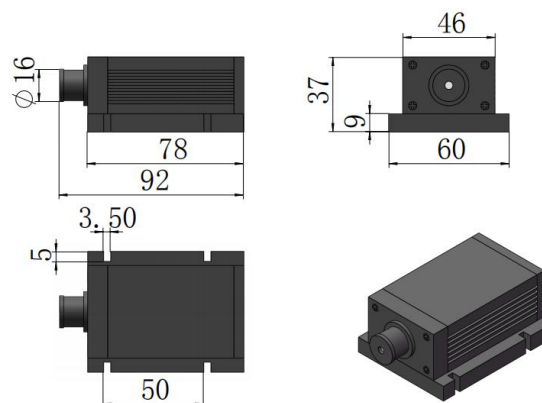
Wavelength (nm)	532±1
Operating mode	CW
Output power (mW)	>1, 5, ...,50
Power stability (rms, over 4 hours)	<1%, <3%, <5%, <10%
Transverse mode	TEM ₀₀
M ² factor	<1.2
Beam diameter at the aperture (1/e ² , mm)	~1.5
Beam divergence, full angle (mrad)	<1.2(1.8~2.0 optional)
Beam height from base plate (mm)	15
Warm-up time (minutes)	<10
Operating temperature (°C)	10~35
Power supply (5VDC)	PSU-II-E-OEM
TTL/Analog modulation	None(TTL or Analog with 1Hz-1KHz, 1KHz-10KHz, 10KHz-30KHz; option)
Expected lifetime (hours)	10000
Warranty period	1 year



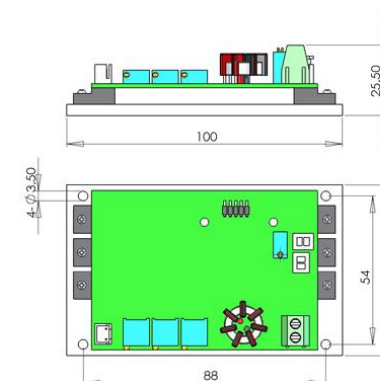
PGL-XII-E-532



92 (L) ×60(W) ×37(H) mm³, 0.3 kg



PSU-II-E-OEM



88 (L) ×62(W) ×25.5(H) mm³, 0.15 kg