

**PS-D-355-Air/1~2000mW**

**SPECIFICATION**

Model	PS-D-355-Air-A	PS-D-355-Air--B
Wavelength (nm)	355±1	
Output power (W)	1~200mW@1MHz	200mw~2000mW@1MHz
Rep.rate (MHz)	1KHz~1MHz	
Pulse duration (ps)	~10	
Power stability (rms, over 4 hours)	<3%, <1%	
Peak-to-Peak stability ( rms ,over 4 hours)	<2 %	
Transverse mode	TEM <sub>00</sub>	
Beam Circularity (%)	>90	
Beam quality (M <sup>2</sup> )	<1.2	
Beam divergence, full angle (mrad)	<3	
Beam diameter at the at the aperture (1/e <sup>2</sup> , mm)	~1	
Polarization ratio	>100:1, Horizontal	
Dimensions ( mm <sup>3</sup> )	370 (L) ×317 (W) ×132 (H)	On Request
Beam height from base plate (mm)	90.5	
Warm-up time (minutes)	<20	
Operating temperature (°C)	20~30	
Power supply	DC 24V/ 13A ( optional )	

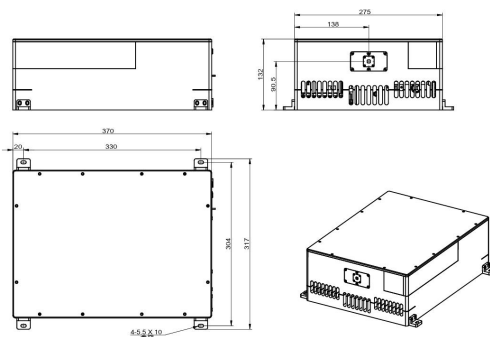


**PICOSECOND PULSED LASER AT 355nm**

Picosecond pulsed laser at 355nm is made features of short pulse duration, high repetition rate and good beam quality, which is used in glass marking, sapphire marking, ceramic cutting, semiconductor cutting, solar panels coating, film scribing, etc.

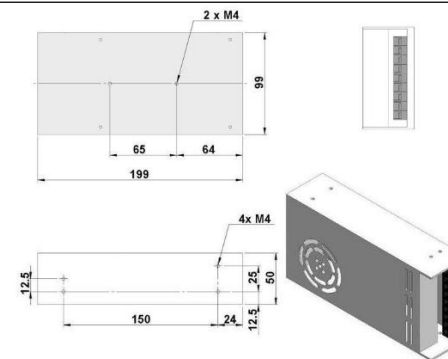


**PS-D-355-Air *Integrated electronics***



**370 (L) ×317 (W) ×132 (H) mm<sup>3</sup>**

**Power supply 100-240VAC**



**DC24V 13A; 199 (L) ×99 (W) ×50 (H) mm<sup>3</sup>, 1 kg**