

RGB-ED-635/520/455 25-35W

COLOR DIODE LASER

Color diode laser at 635/ 520/ 455nm is made features of ultra compact, long lifetime, low cost and easy operating. It's easy to be installed in customer's equipment.



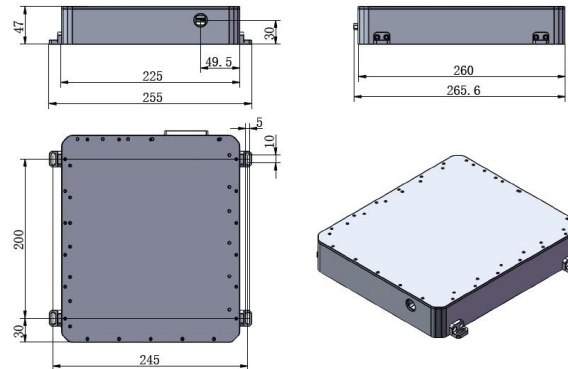
SPECIFICATIONS

Wavelength (nm)	635±5/ 520±5/ 455±5		
Output power (W)	25	30	35
Ratio power (W)	7/ 8/ 10	8/ 10/ 12	8/ 10/ 17
Beam diameter at the aperture (mm)	6.5*7.5		
Operating mode	CW		
Beam divergence, full angle (mrad)	~1.2		
Power stability (rms, over 4 hours)	<1%, <3% ...		
Warm-up time (minutes)	<5		
Beam height from base plate (mm)	30		
Operating temperature (°C)	25+/-3		
Driver (12V 29A+24V 14.6A)	PSU-OEM-PNDT		
Modulation option	TTL/ Analog 1Hz-30KHz, TTL on/ off		
Expected lifetime (hours)	10000		



NOTE: The laser needs to be used on a heat sink with good heat dissipation.

Dimensions of Laser head

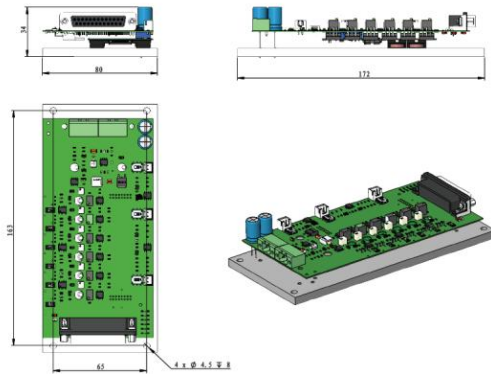


RGB-ED

265.6 (L)*255 (W)*47 (H) mm³

PSU-OEM-PNDT

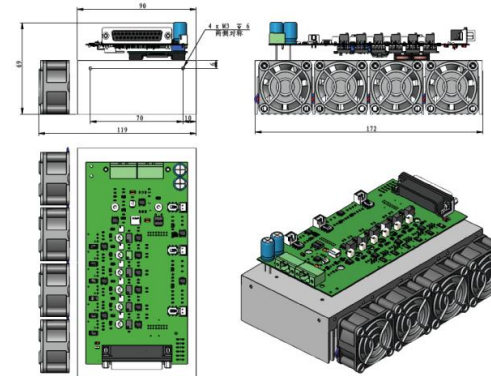
No heat dissipation



(TWO PCS)

172 (L)*80 (W)*34 (H) mm³

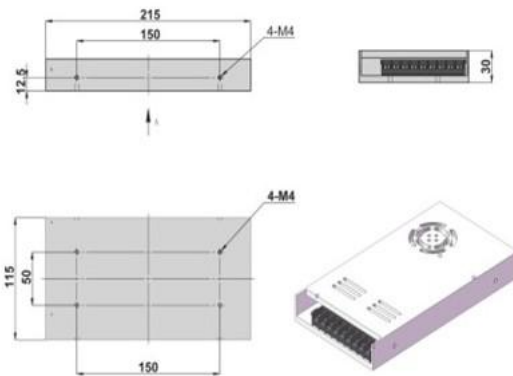
A heat dissipation



(TWO PCS)

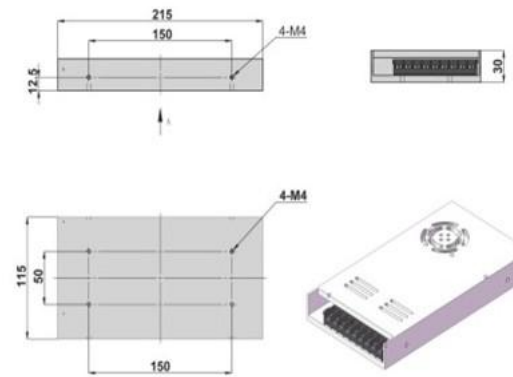
172 (L)*119 (W)*69 (H) mm³

Accessory (Power supply 100-240VAC)



12V29A

215 (L)*115 (W)*30 (H) mm³



24V14.6A

215 (L)*115 (W)*30 (H) mm³