



AO-355A-LM 3/5W



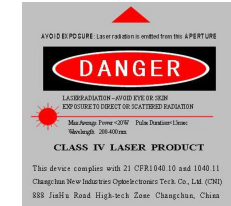
LD PUMPED ALL-SOLID-STATE
AOM Q-SWITCHED LASER at 355NM

All solid state AOM Q-switched laser at 355 nm has the features of high peak power, high repetition rate, and short pulse duration, which is used in scientific research, biology, instrumentation, 3D marking, laser marking, sub-surface engraving and so on.

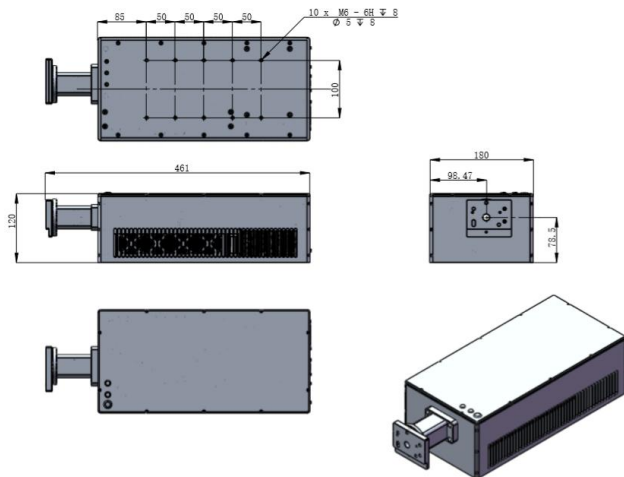


SPECIFICATIONS

Wavelength (nm)	355±1		
Operating mode	Acousto-Optic Q-switched		
Average power (W)	3W@5kHz	3W@30kHz	5W@30kHz
	Average power (W) = Single pulse energy (mJ) * Rep. rate (kHz)		
Single pulse energy (μJ)	>1000@1KHz	>100@30kHz	>160@30kHz
Rep. rate (kHz)	1-10	10-200	10-200
Pulse width (ns)	~12 @1kHz	~12 @30kHz	~15 @30kHz
Warm-up time (minutes)	<10		
Transverse mode	TEM ₀₀		
Beam Circularity (%)	>90		
Beam divergence, full angle (mrad)	<0.2 (10× beam expansion)		
Beam diameter at the aperture (1/e ² , mm)	8±1 (10× beam expansion)		
Pilot light (nm)	650 (optional)		
Beam quality (M ²)	<1.2		
Beam height from base plate (mm)	78.5		
Cooling method	Air Cooled		
Environment temperature (°C)	10~35		
Supply Voltage	DC 12V(≥25A)		
Dimension(mm ³)	461*180*120		
Weight(Kg)	9.6		

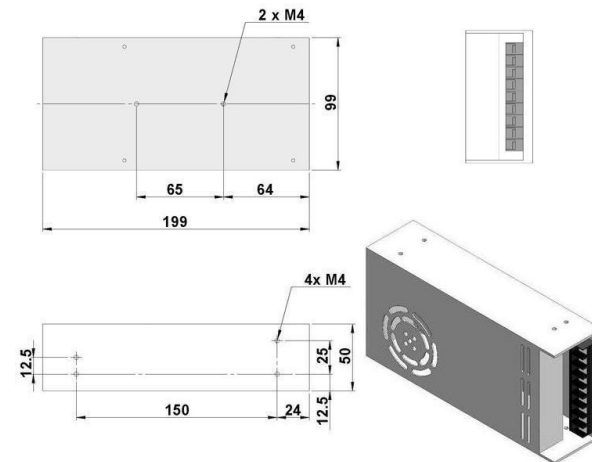


AO-355A-LM



461(L) × 180 (W) × 120 (H) mm³, 9.6 kg

Power supply 100-240VAC (Optional)



12VDC 25A: 199 (L) × 99 (W) × 50 (H) mm³, 0.9 kg