

AO-532A-LM 8W /10W



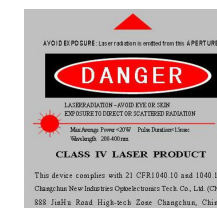
LD PUMPED ALL-SOLID-STATE
AOM Q-SWITCHED LASER

All solid state AOM Q-switched laser at 532 nm has the features of high peak power, high repetition rate, and short pulse duration, which is in marking on materials that are hard, such as highly reflective metals: silver and gold; semiconductors: including silicon, gallium arsenide and germanium, and rubbers such as silicone.

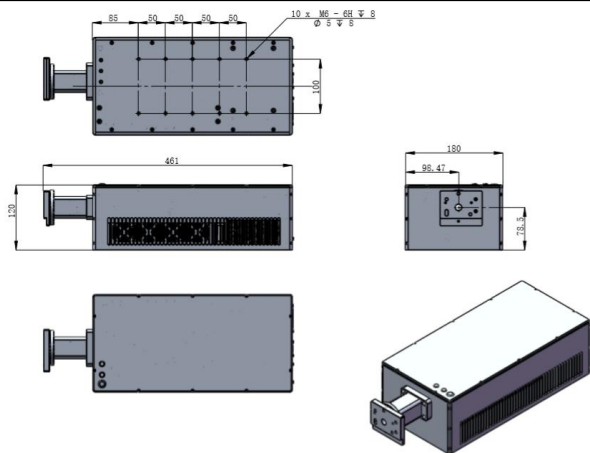


SPECIFICATIONS

Wavelength (nm)	532±1	
Operating mode	Acousto-Optic Q-switched	
Average power (W)	8W@30kHz	10W@30kHz
	Average power (W) = Single pulse energy (mJ) * Rep. rate (kHz)	
Single pulse energy (μJ)	>260μJ @30kHz	>330μJ @30kHz
Rep. rate (kHz)	20~200	
Pulse width (ns)	~13 @30kHz	~12 @30kHz
Warm-up time (minutes)	<10	
Transverse mode	TEM ₀₀	
Beam Circularity (%)	>90	
Beam divergence, full angle (mrad)	<0.2 (10×beam expansion)	
Beam diameter at the aperture (1/e ² , mm)	8±1 (10×beam expansion)	
Beam quality (M ²)	<1.2	
Beam height from base plate (mm)	78.5	
Polarization ratio and Direction	>100:1, Vertical	
Cooling method	Air Cooled	
Environment temperature (°C)	10~35	
Supply Voltage	DC 12V (≥25A)	
Dimension(mm ³)	461*180*120	
Weight(Kg)	9.6	

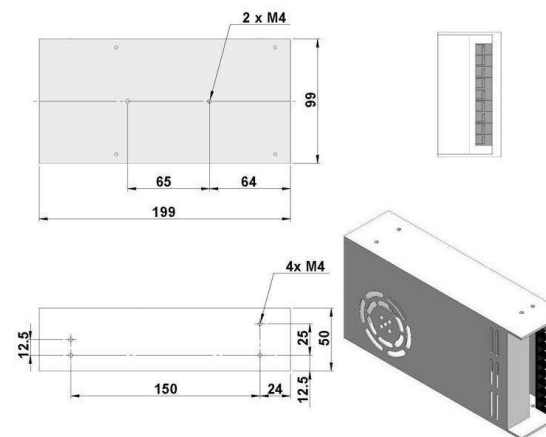


AO-532A-LM



461(L) × 180 (W) × 120 (H) mm³, 9.6 kg

Power supply 100-240VAC (Optional)



12VDC 25A: 199 (L) × 99 (W) × 50 (H) mm³, 0.9 kg