

AO-V-457 / 1~50 μJ / 1~500mW



**LD PUMPED ALL-SOLID-STATE
AOM Q-SWITCHED LASER**

All solid state AOM Q-switched laser at 457 nm has the features of high peak power, high repetition rate, and short pulse duration, which is widely used in marking, carving, measure, research and so on.

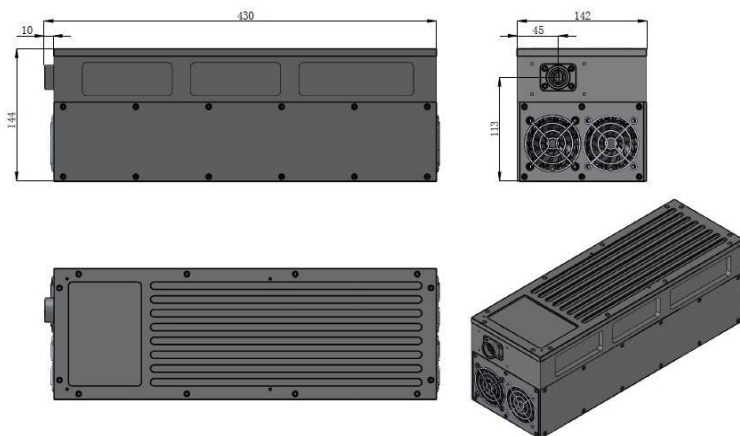


SPECIFICATIONS

Wavelength (nm)	457 ±1
Operating mode	Acousto-Optic Q-switched
Average power (mW)	1~500mW (500mW @20kHz)
Single pulse energy (μJ)	1~50μJ (50μJ @10kHz)
Rep. rate (kHz)	1~50
Pulse duration (ns)	Typically ~300 @10kHz, varies from power and repetition.
Peak power (kW)	0.01~0.1 (0.1kW@10kHz)
Ave power stability (over 4 hours)	<3%, <5%
Warm-up time (minutes)	<10
Beam divergence, full angle (mrad)	<2.5
Beam diameter at the aperture (1/e ² , mm)	~1.0
Beam height from base plate (mm)	113
Cooled method	Air cooled
Operating temperature (°C)	10~35
Power supply (220/110VAC)	PSU-AOM(3U)
Expected lifetime (hours)	10000
Warranty period	1 year

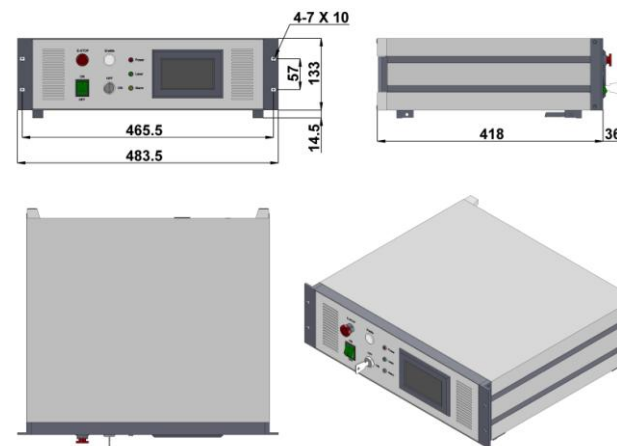


AO-V-457



420 (L) ×142 (W) ×144 (H) mm³, 9.5 kg

PSU-AOM(3U)



483.5 (L) ×454 (W) ×147.5 (H) mm³, 8.3 kg