

AO-V-473 /1~50μJ/1~500mW



**LD PUMPED ALL-SOLID-STATE  
AOM Q-SWITCHED LASER**

All solid state AOM Q-switched laser at 473 nm has the features of high peak power, high repetition rate, and short pulse duration, which is widely used in marking, carving, measure, research and so on.

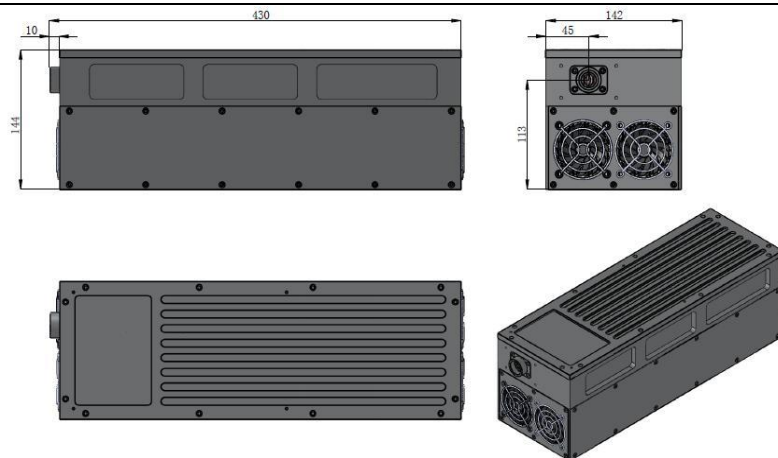


SPECIFICATIONS

Wavelength (nm)	473±1
Operating mode	Acousto-Optic Q-switched
Average power (mW)	1~500mW
Single pulse energy (μJ)	Average power (W) = Single pulse energy (mJ) * Rep. rate (kHz) 1~50 (50μJ @ 1kHz; 50μJ @ 10kHz; 16μJ @ 20kHz)
Rep. rate (kHz)	1~200
Pulse duration (ns)	Typically ~200 @ 10kHz, varies from power and repetition.
Peak power (kW)	0.01~0.25 (0.25kW@10kHz)
Ave power stability (over 4 hours)	<3%, <5%
Warm-up time (minutes)	<10
Beam divergence, full angle (mrad)	<2.5
Beam diameter at the aperture (1/e <sup>2</sup> , mm)	~1.0
Beam height from base plate (mm)	113
Cooled method	Air cooled
Operating temperature (°C)	10~35
Power supply (220/110VAC)	PSU-AOM(3U)
Expected lifetime (hours)	10000
Warranty period	1 year

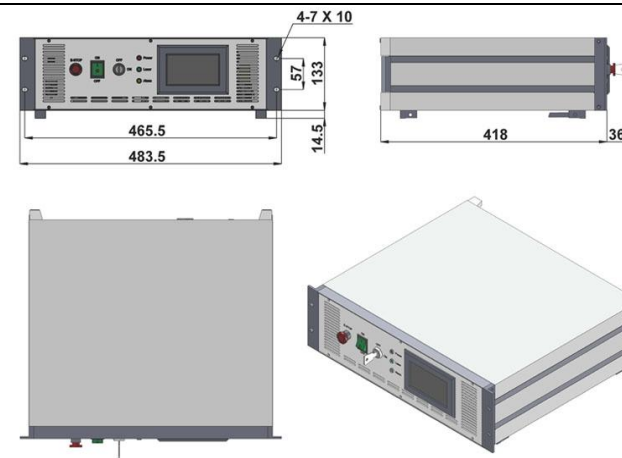


AO-V-473



430 (L) x142 (W) x114 (H) mm<sup>3</sup>, 9.5 kg

PSU-AOM(3U)



483.5 (L) x454 (W) x147.5 (H) mm<sup>3</sup>, 8.3 kg