

AO-V-671 / 1~350μJ/1~4000mW



**LD PUMPED ALL-SOLID-STATE
AOM Q-SWITCHED LASER**

All solid state AOM Q-switched laser at 671nm has the features of high peak power, high repetition rate, and short pulse duration, which is widely used in marking, carving, measure, research and so on.

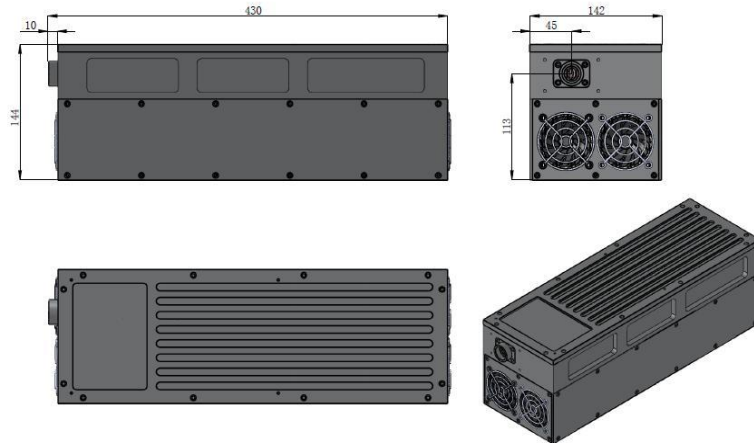


SPECIFICATIONS

| | |
|---|---|
| Wavelength (nm) | 671 ±1 |
| Operating mode | Acousto-Optic Q-switched |
| Average power(mW) | 1~4000mW (4000mW@20kHz; 3500mW@10kHz) |
| Single pulse energy (μJ) | 1~350 (200μJ@20kHz; 350μJ@10kHz) |
| Rep. rate (kHz) | 1~100 |
| Pulse duration (ns) | Typically ~25 @10kHz, varies from power and repetition. |
| Peak power (kW) | 1~14 (14kW@10kHz) |
| Ave power stability (over 4 hours) | <3%, <5% |
| Warm-up time (minutes) | <10 |
| Beam divergence, full angle (mrad) | <2.5 |
| Beam diameter at the aperture (1/e ² , mm) | ~1.0 |
| Beam height from base plate (mm) | 113 |
| Cooled method | Air cooled |
| Operating temperature (°C) | 10~35 |
| Power supply (220/110VAC) | PSU-AOM(3U) |
| Expected lifetime (hours) | 10000 |
| Warranty period | 1 year |

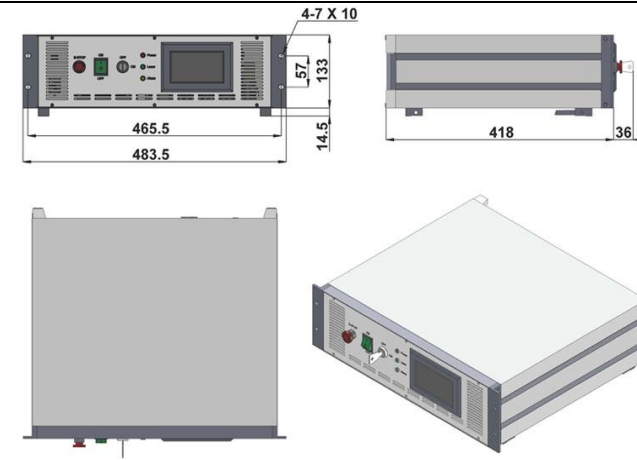


AO-V-671



420 (L) ×142 (W) ×144 (H) mm³, 9.5 kg

PSU-AOM(3U)



483.5 (L) ×454 (W) ×147.5 (H) mm³, 8.3 kg