

AO-Y-3800//1~16.7uJ/1~500mW

LD PUMPED ALL-SOLID-STATE Q-SWITCHED LASER

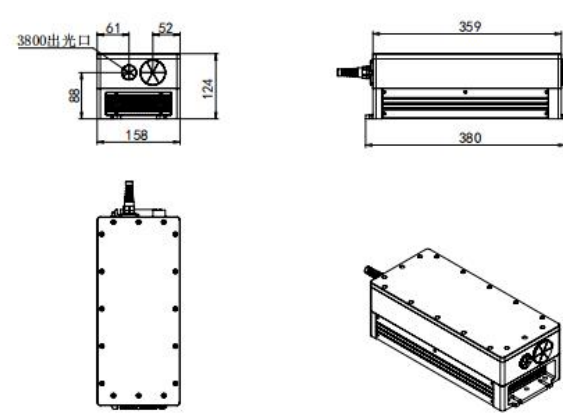
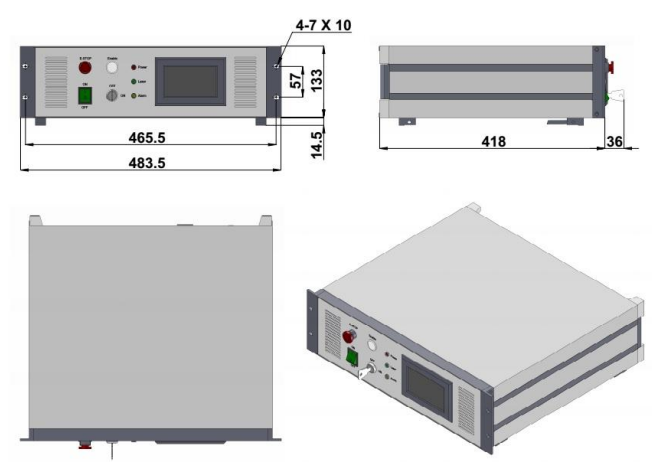
All CNI's Q-switched DPSS laser at 3800nm have high peak power, high repetition rate, and short pulse duration, it is widely used in medical treatment, scientific research and so on.



SPECIFICATIONS

| | |
|--|--------------------------|
| Wavelength (nm) | 3800±30 |
| Operating mode | Acousto-Optic Q-switched |
| Max average power (mW) | >1, 10, 30, ...,500 |
| Power stability (over 4 hours) | <3%, <5% |
| Peak power (W) | 1~1390 |
| Pulse duration (ns) | ~12@30kHz&500mW |
| Rep. rate (kHz) | 30 |
| Single pulse energy (μJ) | 1~16.7 |
| Beam divergence, full angle (mrad) | <10 |
| Beam diameter at the aperture (1/e ² ,mm) | ~4 |
| Beam height from base plate (mm) | 88 |
| Warm-up time (minutes) | <10 |
| Operating temperature (°C) | 10~35 |
| Power supply (90-264VAC) | PSU-AOM (3U) |
| Expected lifetime (hours) | 10000 |
| Warranty period | 1 year |



| AO-Y-3800 | PSU-AOM (3U) |
|--|--|
|  <p>380(L)×158(W)×124(H) mm³, 8.5kg</p> |  <p>483.5 (L) ×454 (W) ×147.5 (H) mm³, 8.3 kg</p> |