

DPS-1535-P/100uJ

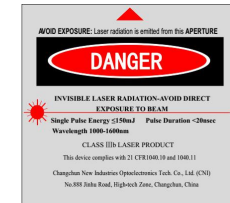
SPECIFICATIONS

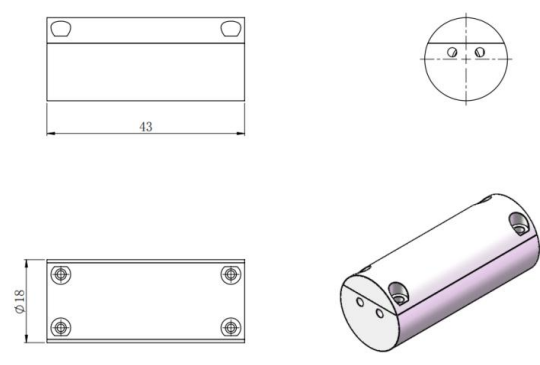
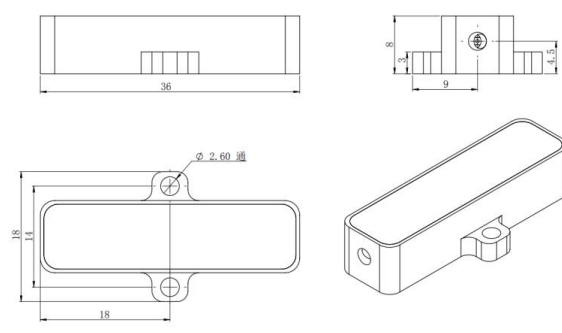
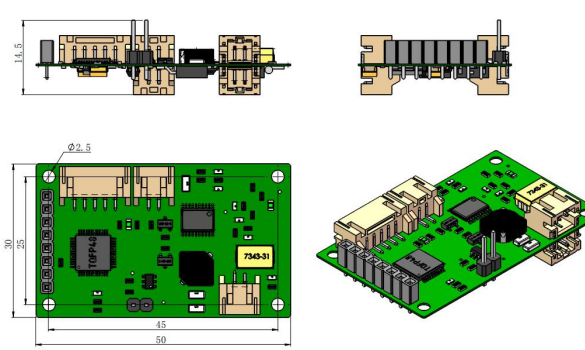
**HIGH ENERGY DIODE  
PUMPED ALL-SOLID-STATE  
Q-SWITCHED LASER**

High energy diode pumped all solid state Q-switched laser at 1535nm has the features of compact structure, short pulse duration, and high peak power, which is widely used in lidar, laser ranging, optical communication, target indication and so on.



Wavelength (nm)	1535±2
Operating mode	Passive
Single pulse energy (uJ)	100
Pulse duration (ns)	<4
Rep. rate (Hz)	10, EXT (adjustable)
Energy stability	<1%
Beam divergence, full angle (mrad)	≤8
Beam diameter (mm)	~0.4
Warm-up time (seconds)	<10
Beam height from base plate (mm)	4.5
Cooled method	Conduction
Operating temperature (°C)	-20~60
Power supply (5V DC)	PSU-DPS-P
Expected lifetime (pulses)	10 <sup>9</sup>
Warranty period	1 year
Options	200uJ can be customized



DPS-1535-P-I	DPS-1535-P-II	PSU-DPS-P
 <p>43(L)×Φ18mm, 67.3g</p>	 <p>36 (L) ×18(W) ×8(H) mm<sup>3</sup>, 18.7 g</p>	 <p>50(L)×30(W)×14.5(H) mm<sup>3</sup>, 62.8g</p>