

EO-1064-N/1~3.5mJ

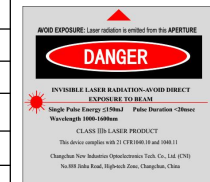
**HIGH ENERGY DIODE
PUMPED ALL-SOLID-STATE
Q-SWITCHED LASER**

High energy diode pumped all solid state Q-switched laser at 1064nm has the features of high single pulse energy, short pulse duration, and high peak power, which is widely used in radar, topography measurement, marking, ranging, micro-processing, scientific research, and so on.

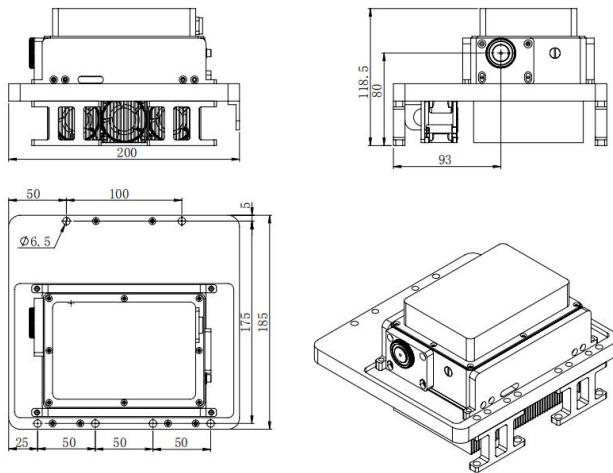


SPECIFICATIONS

Wavelength (nm)	1064±1				
Operating mode	Q-switched: EO (Electro-optic)				
Single pulse energy (mJ)	1@1KHz	1@5KHz	0.3@20KHz	2@3KHz	3.5mJ@2KHz
Pulse duration (ns)	<7@1KHz	<7@5KHz	<8@20KHz	<12@3KHz	<13@3KHz
Rep. rate (Hz)	1Hz~1kHz	1k~7kHz	1k~25kHz	One fixed value between 1k~3kHz	
Power stability (rms)	<1%, <2%				
M ²	<1.5			<2	
Pointing stability (urad, std)	<20				
Beam divergence, full angle (mrad)	<3				
Beam diameter (mm)	~1				
Beam height from base plate (mm)	80				
Warm-up time (minutes)	<15				
Cooled method	Air cooled				
Operating temperature (°C)	15~30				
Power supply (DC 24V)	PSU-EO-N				
Expected lifetime (hours)	10000				
Warranty period	1 year				
Options	Higher energy can be customized; Higher frequency can be customized				

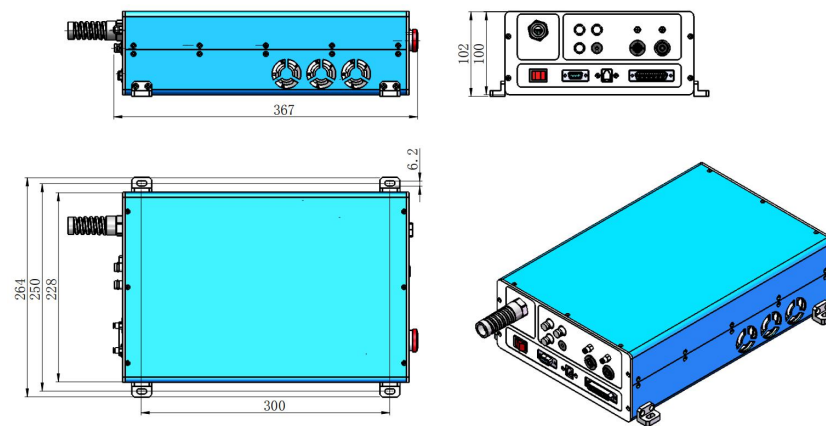


EO-1064-N



200(L)×185(W)×118.5(H)mm³ 5.7kg

PSU-EO-N(DC 24V)



367(L)×264(W)×102(H)mm³ 6.5kg